

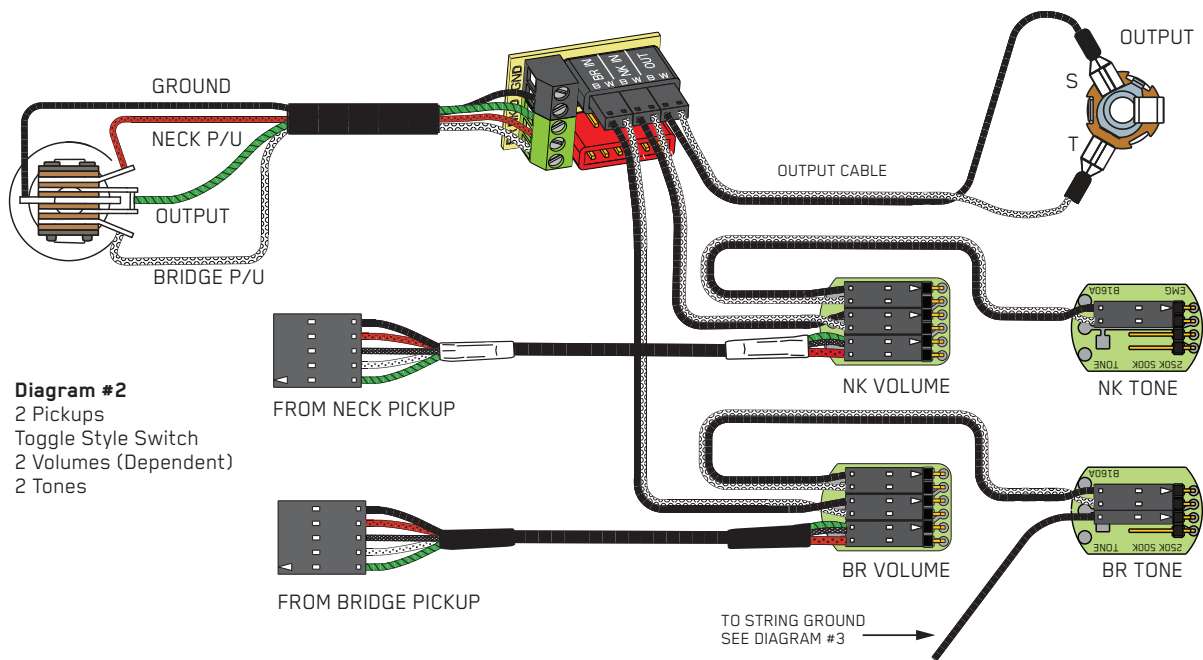
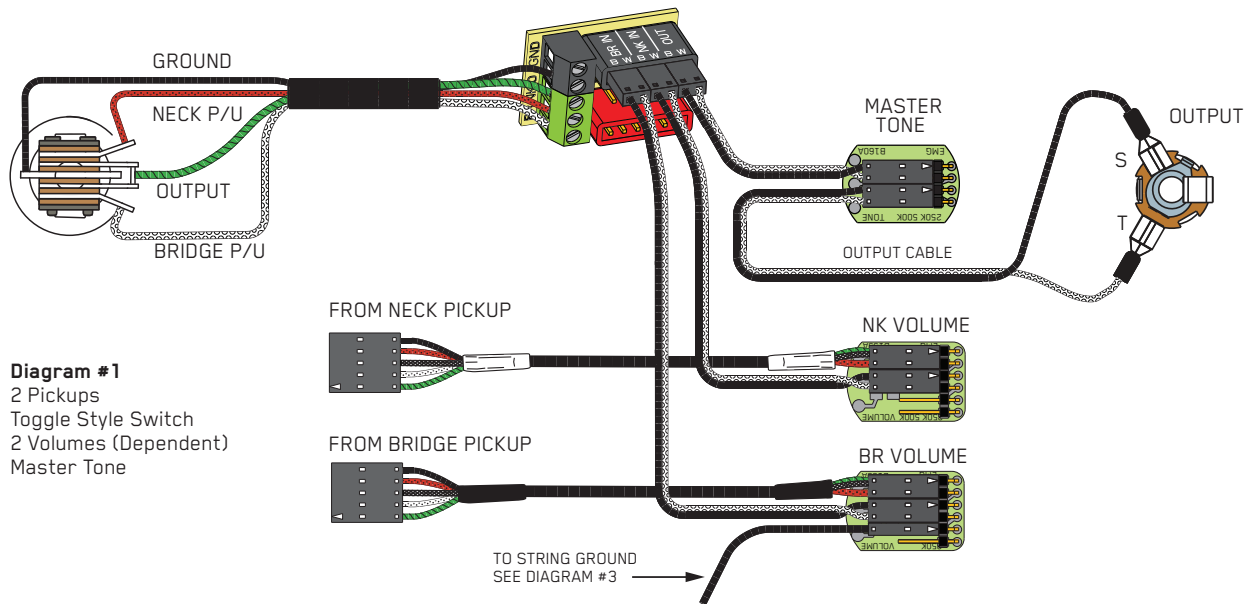


PO BOX 4394  
SANTA ROSA, CA  
95402 USA

P (707) 525-9941  
F (707) 575-7046  
EMGPICKUPS.COM

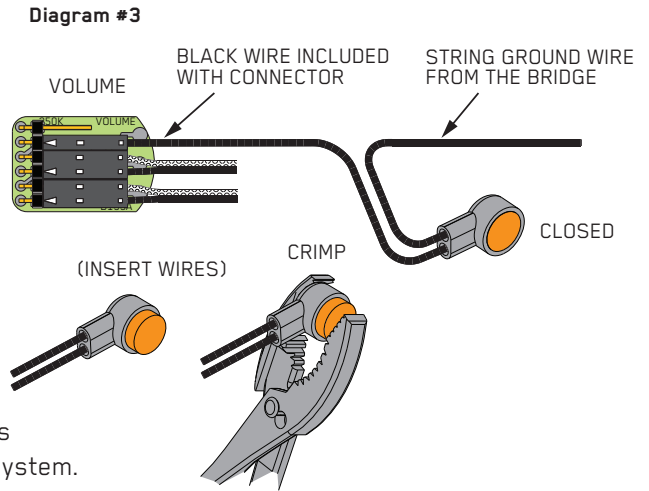
# INSTALLATION INFORMATION EMG MODELS: PASSIVE / PASSIVE

**SEE PAGE 2 FOR WIRING WITH EMG SOLDERLESS TOGGLE SWITCHES  
OR HARDWIRED 3-POSITION BLADE SWITCHES**



### Attaching the bridge ground wire

It is common to "ground" (earth) the strings on guitars that have passive pickups. Included with the system is a black wire with a single black connector attached. Also included is an IDC connector for connecting the two wires together. Insert the bridge ground wire, and the connector wire into the IDC connector, crimp the connector with a pair of pliers until it snaps and this will connect the two wires. You don't need to strip the insulation from the wires. Push the black connector onto a free ground terminal (GND) of the volume control as shown in the diagram. This will ground the strings to the system.

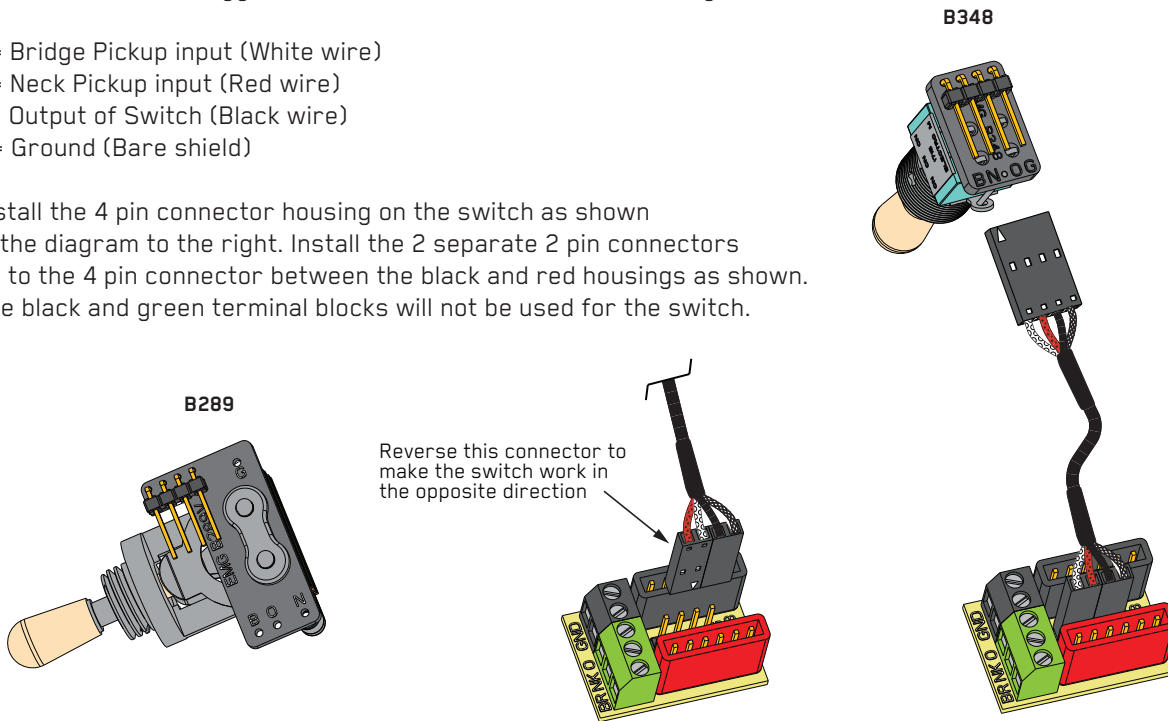


### B289 and B348 Toggle Switches

All EMG Solderless Toggle Switches use the same "BNOG" wiring scheme:

- B= Bridge Pickup input (White wire)
- N= Neck Pickup input (Red wire)
- O= Output of Switch (Black wire)
- G= Ground (Bare shield)

Install the 4 pin connector housing on the switch as shown in the diagram to the right. Install the 2 separate 2 pin connectors on to the 4 pin connector between the black and red housings as shown. The black and green terminal blocks will not be used for the switch.



### Hardwired 3-Position Toggle and Lever Switch

To use your stock, hardwired selection switch with the EMG Solderless Buss (B245), strip the insulation from the switch wires, insert them into the GREEN terminal block, and tighten with a small screwdriver.

- Bridge pickup → "BR" terminal
- Neck pickup → "NK" terminal
- Output → "O" terminal
- Ground (if applicable) → "GND" terminal.

