



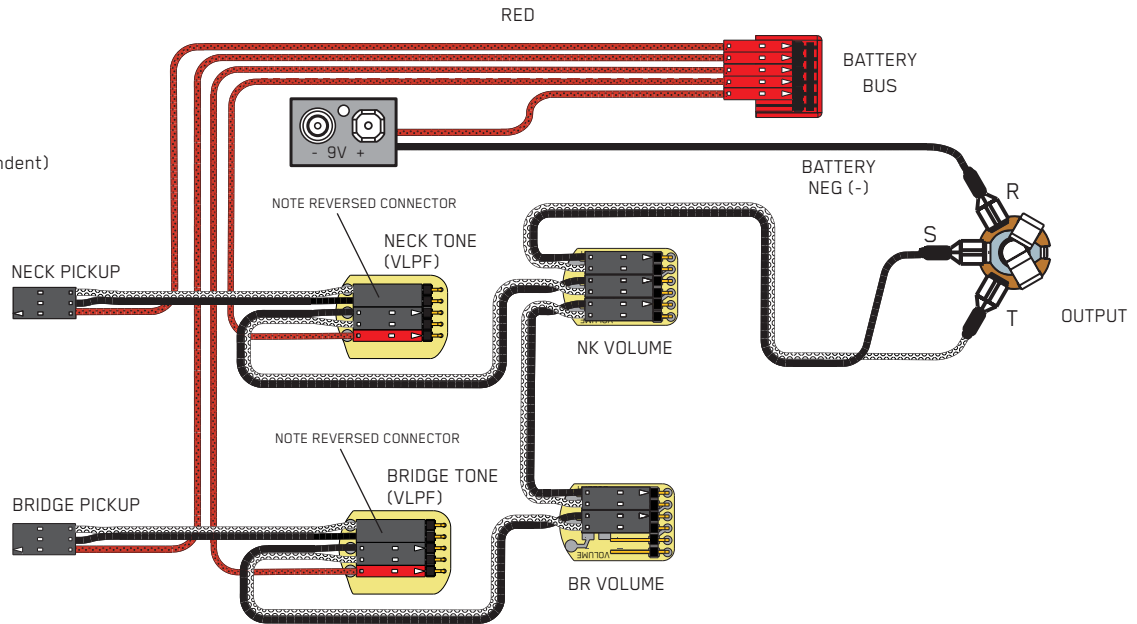
PO BOX 4394  
SANTA ROSA, CA  
95402 USA

P (707) 525-9941  
F (707) 575-7046  
EMGPICKUPS.COM

## INSTALLATION INFORMATION EMG MODELS: **ACTIVE / ACTIVE (NO SWITCH)**

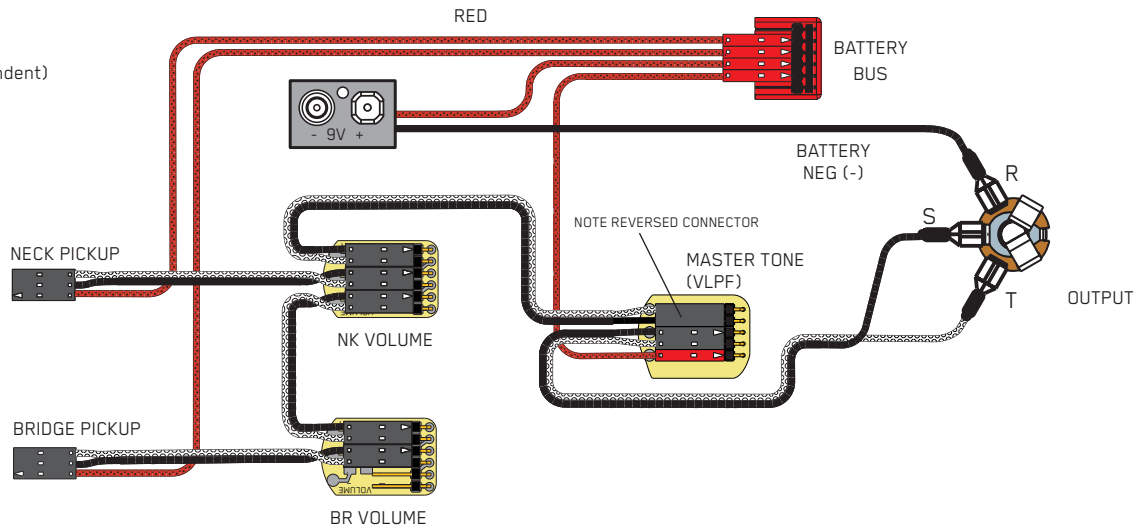
**Diagram #1**

2 Pickups  
2 Volume (Independent)  
2 Active Tone



**Diagram #2**

2 Pickups  
2 Volume (Independent)  
1 Active Tone



### WARRANTY

All EMG Pickups and accessories are warranted for a period of two years. This warranty does not cover failure due to improper installation, abuse or damage. If upon examination the pickup is determined to be defective, a replacement will be made. Warranty replacement products are covered by this same warranty. This warranty covers only those pickups and accessories sold by authorized EMG Dealers. This warranty is not transferable.