

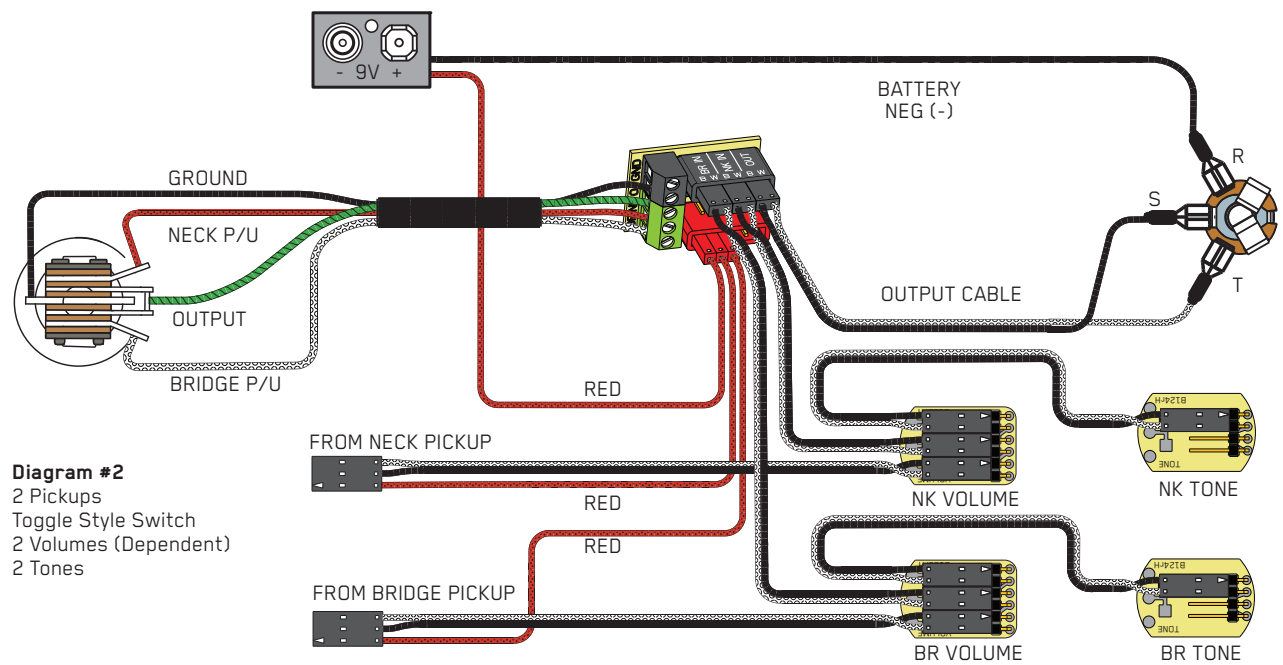
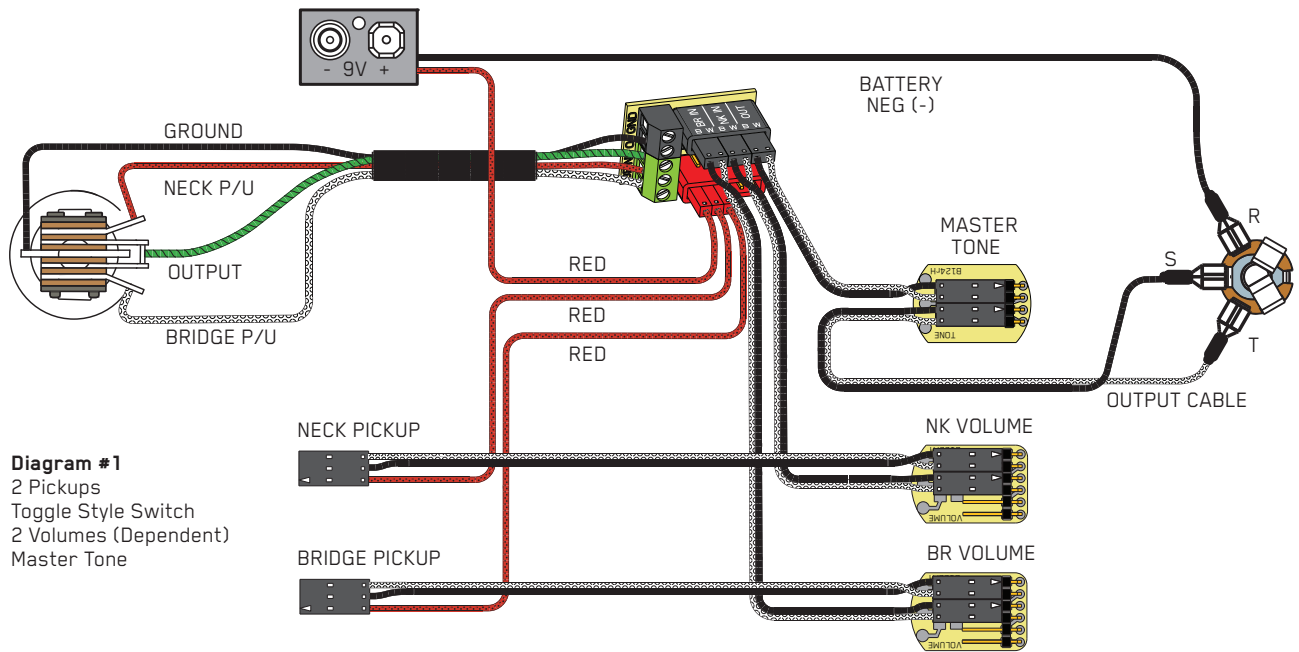


PO BOX 4394
SANTA ROSA, CA
95402 USA

P (707) 525-9941
F (707) 575-7046
EMGPICKUPS.COM

INSTALLATION INFORMATION
EMG MODELS: **ACTIVE / ACTIVE**

**SEE PAGE 2 FOR WIRING WITH EMG SOLDERLESS TOGGLE SWITCHES
OR HARDWIRED 3-POSITION BLADE SWITCHES**



INSTALLATION:

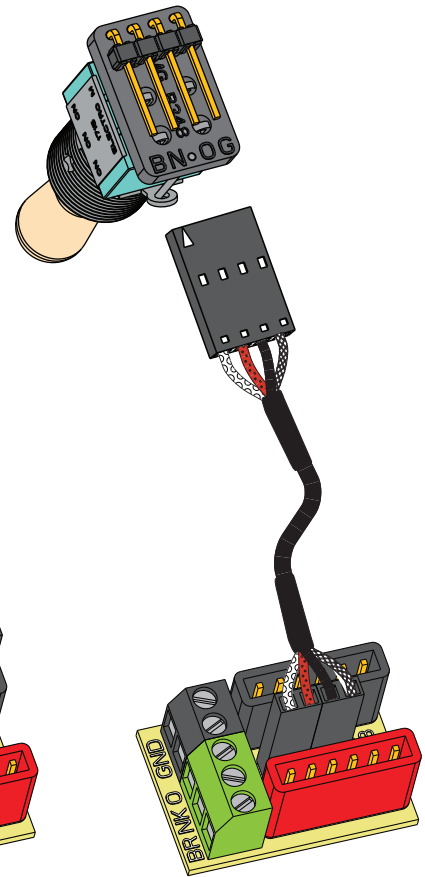
B289 and B348
Toggle Switches

All EMG Solderless Toggle Switches use the same "BNOG" wiring scheme:

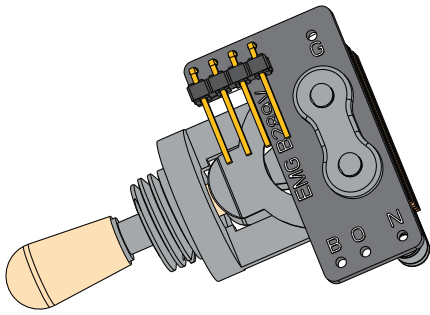
- B= Bridge Pickup input (White wire)
- N= Neck Pickup input (Red wire)
- O= Output of Switch (Black wire)
- G= Ground (Bare shield)

Install the 4 pin connector housing on the switch as shown in the diagram to the right. Install the 2 separate 2 pin connectors on to the 4 pin connector between the black and red housings as shown. The black and green terminal blocks will not be used for the switch.

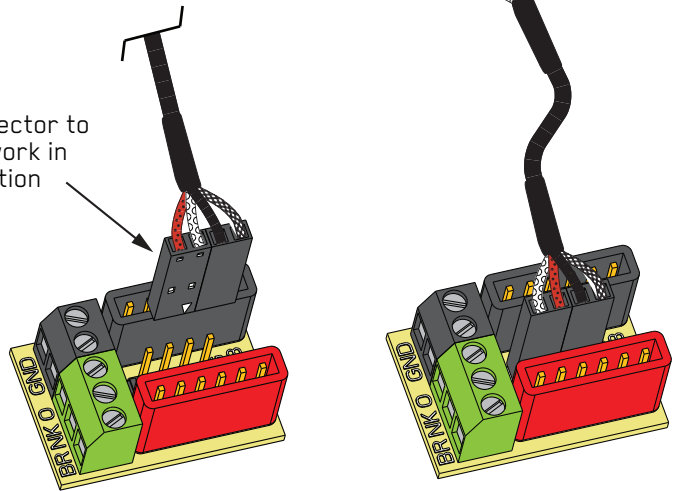
B348



B289



Reverse this connector to make the switch work in the opposite direction



INSTALLATION:

Hardwired 3-Position Toggle and Lever Switch

To use your stock, hardwired selection switch with the EMG Solderless Buss (B245), strip the insulation from the switch wires, insert them into the GREEN terminal block, and tighten with a small screwdriver.

- Bridge pickup → "BR" terminal
- Neck pickup → "NK" terminal
- Output → "O" terminal
- Ground (if applicable) → "GND" terminal.

