



PO BOX 4394
SANTA ROSA, CA
95402 USA

P (707) 525-9941
F (707) 575-7046
EMGPICKUPS.COM

INSTALLATION INFORMATION EMG MODELS: TW / ACTIVE / TW (B337)

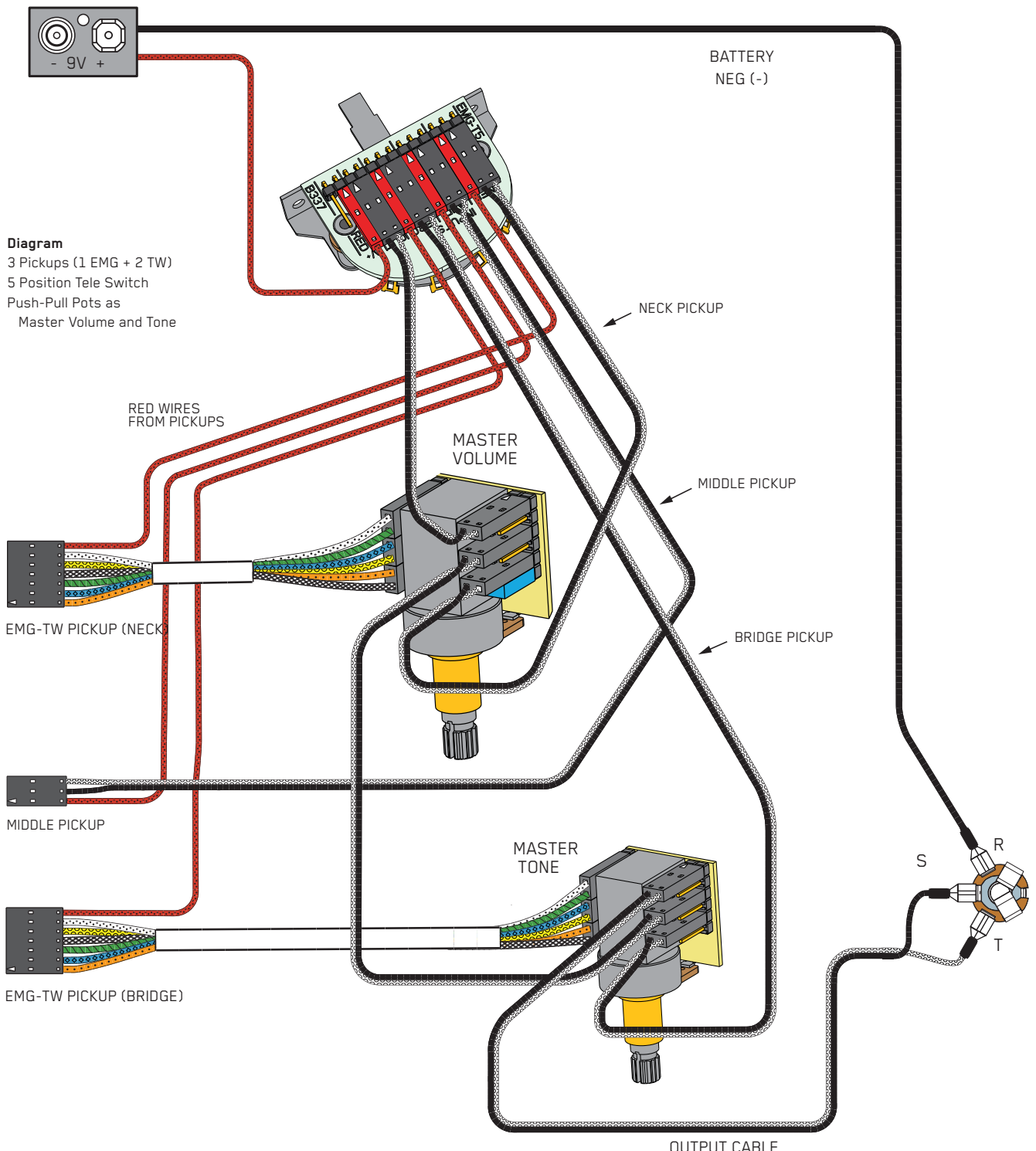


Diagram
3 Pickups (1 EMG + 2 TW)
5 Position Tele Switch
Push-Pull Pots as
Master Volume and Tone

EMG-TW PICKUP (NECK)

MIDDLE PICKUP

EMG-TW PICKUP (BRIDGE)

BATTERY
NEG (-)

NECK PICKUP

MIDDLE PICKUP

BRIDGE PICKUP

MASTER
VOLUME

MASTER
TONE

OUTPUT CABLE

S R T