

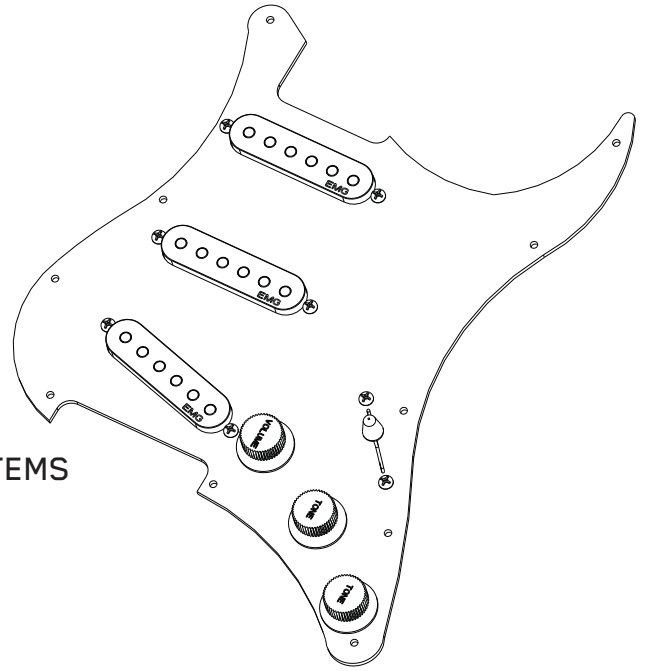


0230-0199r-C

PO BOX 4394
SANTA ROSA, CA
95402 USA

P (707) 525-9941
F (707) 575-7046
EMGPICKUPS.COM

**PASSIVE
SRO-SERIES**



INSTALLATION INFORMATION EMG MODELS: **SRO ST54 AND ST65 PICKGUARD SYSTEMS**

SPECIFICATIONS:

	MODEL:	
	ST54	ST65
Logo Color	Gold	Gold
Magnet Type	Alnico 2	Alnico 5
Gauss at Pickup top	580	1000
Inductance (Henries)	3.20	2.65
DC Resistance (KOhm)	6.82	6.82
Resonant Frequency (KHz) / Q (1)	3.15 / 1.75	3.40 / 1.56
Resonant Frequency (KHz) / Q (2)	3.25 / 2.09	3.50 / 1.92
Resonant Frequency (KHz) / Q (3)	4.25 / 2.61	4.75 / 2.29
Impedance at Resonance (KOhm) (1)	63.9	56.5

Notes:

- (1) Loaded with 250K Volume and Tone and a 20' (6M) 580pF Cable
- (2) Loaded with 250K Volume Control only and a 20' (6M) 580pF Cable
- (3) Loaded with 1 MegOhm / 47pf

INSTALLATION NOTES:

The tools you will need for the installation are a #1 Phillips screwdriver, a small jewelers screwdriver (straight or phillips) and a 1/2-inch hex nut-driver. The Pickups and controls are pre- installed on a 11-Screw pickguard and should fit easily onto any Strat*-Style Guitar.

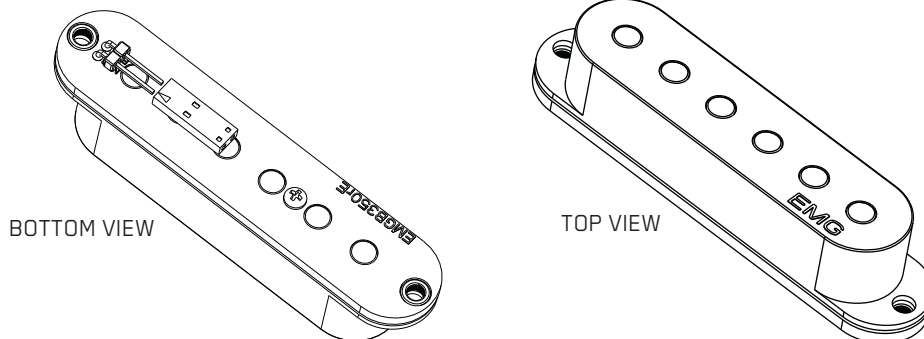
The SC54 AND SC65 Pickups are Single-Coil style passive pickups.

There is no attempt at noise reduction so string grounding (earth) is required.

The output of each pickup is a simple 2 pin connector that can be reversed to change the phase of the pickup.

For more information go to <http://www.emgpickups.com>.

SC54 AND SC65 PICKUP MODELS



WARRANTY

All EMG Pickups and accessories are warranted for a period of two years. This warranty does not cover failure due to improper installation, abuse or damage. If upon examination the pickup is determined to be defective, a replacement will be made. Warranty replacement products are covered by this same warranty. This warranty covers only those pickups and accessories sold by authorized EMG Dealers. This warranty is not transferable.

- 1) Remove the Strings.
- 2) Unscrew the existing Output Jack Plate (2 screws) and either unsolder or cut the 2 wires going to the existing output jack.
- 3) Remove the existing Output Jack and install the #11 Output Jack included with the ST-54 and ST-65 System as shown below in Diagrams #1 and #1a.
- 4) Route the Output cable (WHITE) through the hole in the Jack cavity into the Control cavity.
- 5) Screw the jack plate into place and insert a 1/4" plug into the jack to make sure it goes in all the way. If all seems to fit fine remove the plug.
- 6) Insert the Output Cable connector onto the Main PC Board marked WHT/BLK (Tip/Sleeve). Diagram #2.
- 7) Strip any ground wires (bridge and cavity shield) and insert them into the ground terminal block on the PC Board using a small screwdriver to tighten the terminals.
- 8) It's a good idea to test the system before you screw the pickguard down. Plug a cable into the jack and into the amp, and turn up the volume slightly. Tap on the pickups with a small metallic screwdriver and make sure each pickup is working.
- 9) If all seems OK, screw the pickguard into place, restring and adjust the pickups as close as possible to the strings.

