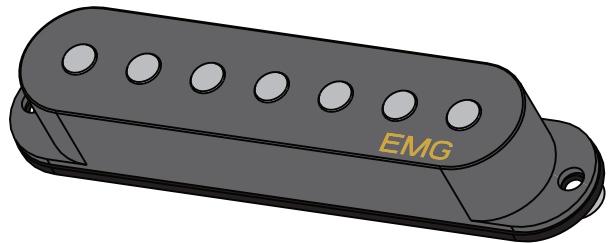




0230-0153

PO BOX 4394
SANTA ROSA, CA
95402 USA

P (707) 525-9941
F (707) 575-7046
EMGPICKUPS.COM



INSTALLATION INFORMATION

EMG MODEL: RETROACTIVE S7 STRING PICKUPS

GENERAL INFORMATION:

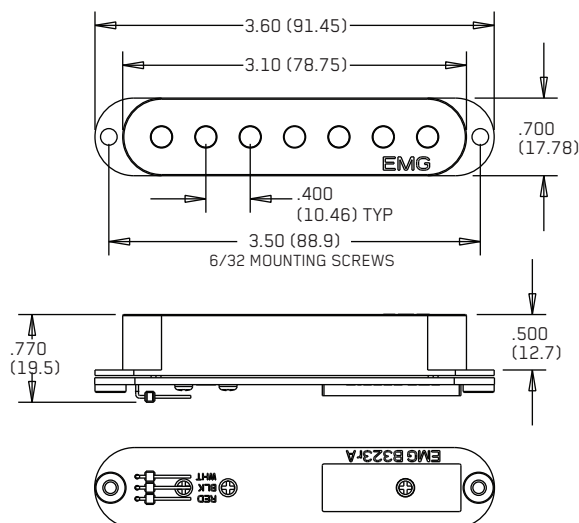
The RetroActive S7 Series are single-coil Active Pickups for 7 String guitar. They start with coil dimensions and magnet types similar to traditional "S" Style Pickups but then change direction completely. They are available in two different versions. The first features Alnico 5 magnets, while the second features Alnico 2 magnets. The Alnico 5 version has a slightly brighter and more attackish response, while the Alnico 2 version has a slightly rounder tone and a softer feel to attack. All 3 pickups feature their own resonant frequencies. The neck pickup has the highest at 4.5 KHz, the middle pickup is around 3.75KHz, while the Bridge pickup is at 3KHz. With different resonant frequencies for each pickup, the in-between tones (positions 2 and 4 on the switch) are strongly pronounced. With the neck pickup having the highest resonance, it has a very fluid, even sparkly response, while the bridge pickup is built for bite and "in your ear" direct tone.

The Pickups are active and use EMG's new discrete FET preamp that is so low-noise you won't even know your guitar is plugged in. No need for string grounding, so no shock hazard. Low-impedance output so you can sound the same through a cable as well as wireless. and on top of that the whole system only requires 600 Micro-Amps of 9 Volt battery power. Available in Black, White, and Ivory.

SPECIFICATIONS:

	MODELS:					
	Neck N-5427	Middle M-5428	Bridge B-5429	Neck N-2427	Middle M-2428	Bridge B-2429
Logo Color	Gold	Gold	Gold	Gold	Gold	Gold
Magnet Type *	A5	A5	A5	A2	A2	A2
Gauss Strength	750	750	750	600	600	600
Resonant Frequency (KHz)	4.50	3.75	3.00	4.30	3.65	2.90
Output Voltage (String)	1.00	1.00	1.00	1.00	1.00	1.00
Output Voltage (Strum)	3.00	3.00	3.00	3.00	3.00	3.00
Output Noise (60 Hz)	-103	-103	-103	-103	-103	-103
Output Impedance (Kohm)	3	3	3	3	3	3
Current @9V (Microamps)	210	210	210	210	210	210
Battery Life (Hours)	2500	2500	2500	2500	2500	2500
Maximum Supply (Volts DC)	27	27	27	27	27	27

*Note: Magnet Type: A5 (Alnico 5)
A2 (Alnico 2)



*Strat is a registered trademark of FMIC Inc.

© 2016 Copyright EMG INC. All Rights Reserved.