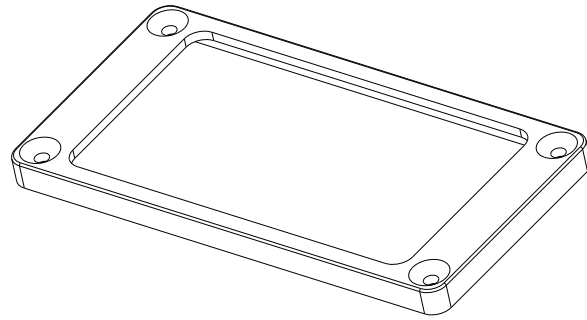


0230-0289-A

PO BOX 4394
SANTA ROSA, CA
95402 USA

P (707) 525-9941
F (707) 575-7046
EMGPICKUPS.COM



INSTALLATION INFORMATION

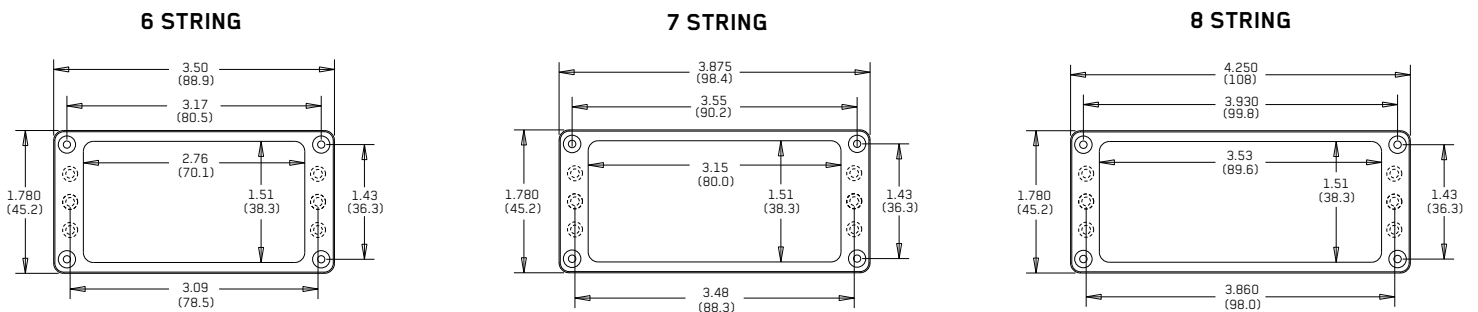
EMG MODEL: HUMBUCKING MOUNTING RINGS

Mounting Ring Data:

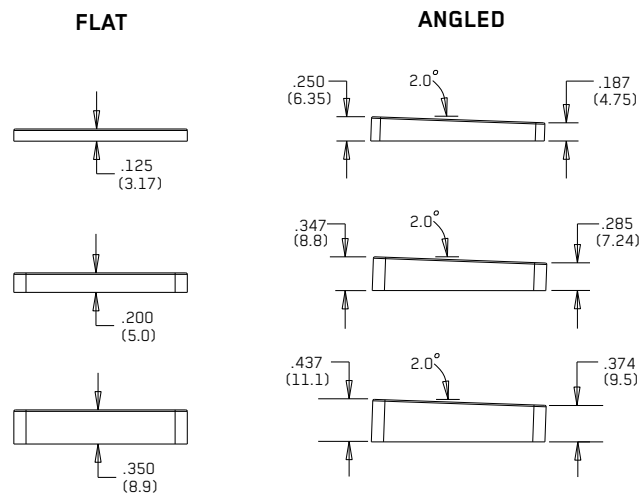
EMG Mounting Rings are available for 6, 7, and 8 String Humbucking Pickups.

There are 3 styles available; flat, angled, and radius angle with 3 heights available for each style of ring. In addition, all mounting rings are adaptable to a 3-screw mounting format allowing the pickup to be adjusted parallel under the strings. Pickup rings are supplied without pickup mounting holes so you can choose either the traditional 2-screw mount or the 3-screw mount. Alignment bosses are molded into the pickup ring and by using a 7/64 inch (2.5mm) drill they are easily modified per your choice. If the pickup cavity in your guitar is routed to fit the 3-screw mount then we recommend its use because it allows parallel adjustment of the pickup to the angle of the strings, and adds pickup mounting strength. EMG Mounting rings are made to match EMG Pickup housings, but will work fine with most any humbucking pickup. Colors available are Black, White, and Ivory. Made in the U.S.A.

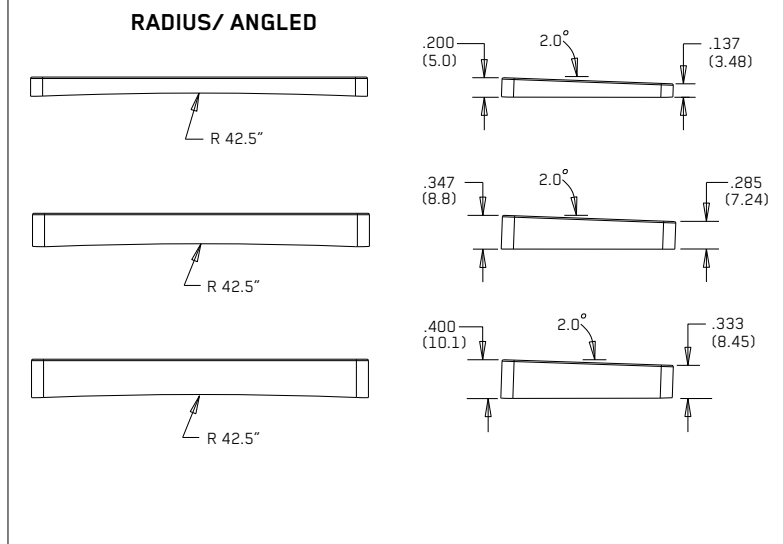
Mounting Ring Dimensions (top view):



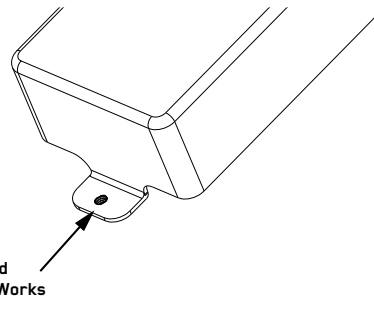
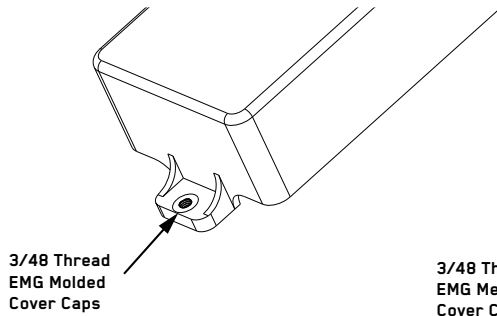
Mounting Ring Dimensions (side view):



Ring Dimensions (side views):



**Installation Instructions:
EMG Mounting Rings**



General Notes:

EMG Humbucking Pickups and EMG Metalworks Pickups are threaded 3/48 in the adjustment tab. There is no metric match for this thread. Use the 3/48 screws supplied for pickup mounting.

Before Drilling:

If you are using angled or radius rings and opt to use the 3 screw mount you should make the decision which side of the pickup you want the two screws on, either low or high strings. See the diagram below showing the two screws on the Low E side as an example. Since there are 3 bosses on each side of the ring, the choice is yours which side of the pickup has 2 screws.

Drilling Holes:

No matter which mounting format you choose, either 2 or 3 screw, the hole(s) will need to be drilled. The material is ABS Plastic and relatively soft. It can be easily drilled by hand. Use a 7/64 drill bit or 2.5mm. Drill from the backside using the molded bosses as guides.

Using the 2 Srew mount adapter:

Install the 2 screw adapter as shown in the diagrams below. Use the short 3/48 screw to mount the adapter to the adjustment tab. Install the pickup as shown in the mounting ring.

