

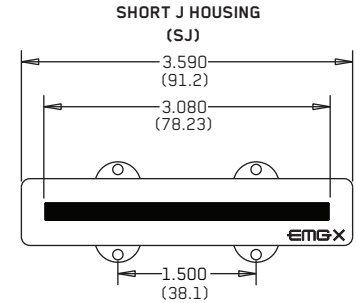
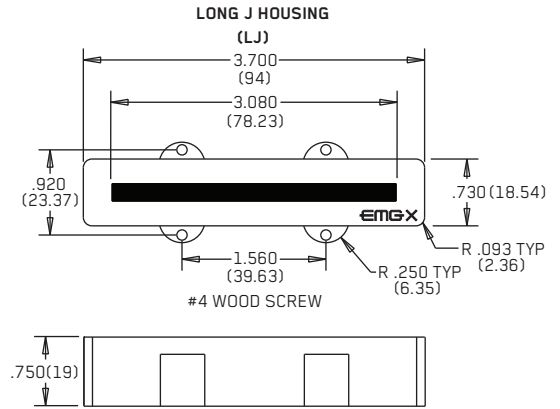


0230-0311r-A

PO BOX 4394  
SANTA ROSA, CA  
95402 USA

P (707) 525-9941  
F (707) 575-7046  
EMGPICKUPS.COM

**X-SERIES**



**INSTALLATION INFORMATION**  
EMG MODELS: **J-X, JA-X, J-CS-X SYSTEM (4 / 5 STRING)**

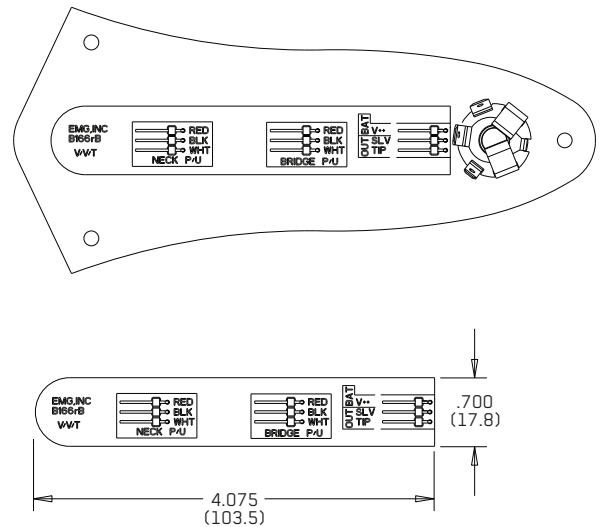
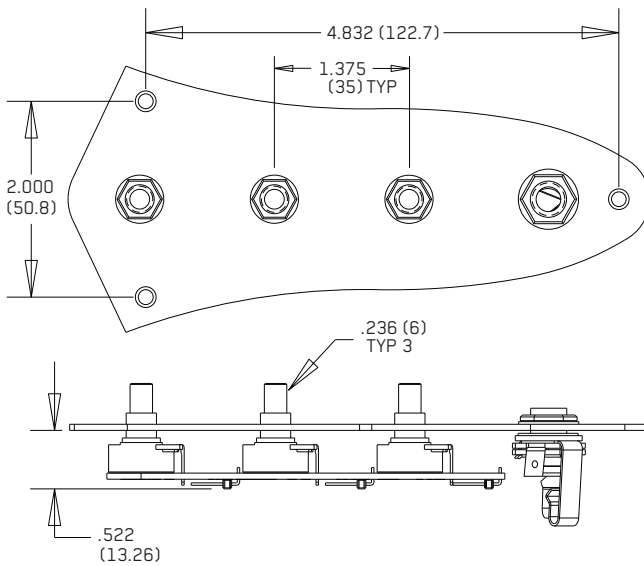
**SPECIFICATIONS:**

	MODEL:		
	J-X	JA-X	J-CS-X
Logo Color	Silver	Gold	Silver
Magnet Type *	C	A	C/S
Resonant Frequency (KHz)	4.05	3.48	3.48
Output Voltage (Finger, Thumb)	2.00	1.75	1.75
Output Voltage (Thump)	8.00	6.50	6.50
Output Noise (60 Hz)	-105	-101	-101
Output Impedance (Kohm)	2.00	2.00	2.00
Current @9V (Microamps)	80	80	80
Battery Life (Hours)	3000	3000	3000
Maximum Supply (Volts DC)	27	27	27

\*Note: Magnet Type: A (Alnico) C (Ceramic) C/S (Ceramic and Steel)

**PICKUP AND MAGNET DIMENSIONS:**

The J-X, JA-X, J-CS-X Systems are designed to fit directly into a Jazz Bas Guitar, in either the original Fender or copy Bass Guitar. The pickups consist of both the shorter housing (SJ) for the neck pickup, and the longer housing (LJ) is for the bridge pickup. Each of the housings also have different mounting hole distances. Both SJ and LJ Housings can work with both 4 and 5-string instruments, but you should check the width of your strings against the magnet dimensions above to make sure there is sufficient string coverage. Also included is the complete control set consisting of a Volume/ Volume/ VLPF (Active Tone) setup.



**WARRANTY**

All EMG Pickups and accessories are warranted for a period of two years. This warranty does not cover failure due to improper installation, abuse or damage. If upon examination the pickup is determined to be defective, a replacement will be made. Warranty replacement products are covered by this same warranty. This warranty covers only those pickups and accessories sold by authorized EMG Dealers. This warranty is not transferable.

## Installation Instructions:

### EMG Models: JX, JAX, J-CS-X SYSTEM (4 /5-STRING)

#### General Notes:

Every attempt has been made to make this a solderless installation.

There are some instances where this is not possible;

- 1) If your instrument uses the long panel output jack and you had passive pickups you will need a new stereo output jack, the Switchcraft 152B is recommended. Soldering to the new jack will be required, see Diagram #7 on page 4.
- 2) Make sure the battery fits into the instrument control compartment before you proceed with the installation. It may be necessary to enlarge the control compartment in both width and depth to fit the battery and controls. A separate battery compartment on the back of the instrument is always recommended.

## Installation Instructions:

- 1) Remove the strings from the instrument. Remove the existing controls and switch from the control plate by cutting the pickup wires at the switch. Also cut the wires to the output jack and remove it. Cut the ground wire coming from the bridge, it will not be reconnected. Unscrew and remove the pickguard.

#### Mounting the Pickups:

##### Refer to Diagrams #1 and #2

- 1) First, make sure the Short J (SJ) pickup fits in the cutout of the pickguard. It may be necessary to enlarge the pickup cutout.
- 2) Attach the pickup cables as shown in Diagram #1 then mount both pickups as shown in diagram #2 using some of the foam from the packaging for supporting the pickups. Route the pickup cable through the hole first followed by the red wire.

Don't worry about the pickup height adjustment at this time, it will be adjusted later.

#### \*\*\*\*Tips and Tricks\*\*\*\*

Start your installation by:

- 1) Read the General Notes on Page 2 if you haven't already and determine if you have the right output jack for your instrument. A Stereo 12B type (Included) or a 152B Long Panel Jack will be required.
- 2) Remove the strings
- 3) Remove any existing Pickups and controls (remember the order and function of each control)
- 4) Install the EMG Volume and Tone Controls and tighten them in.
- 5) Then install the pickups keeping any excess cable under the pickup rather than in the control cavity.

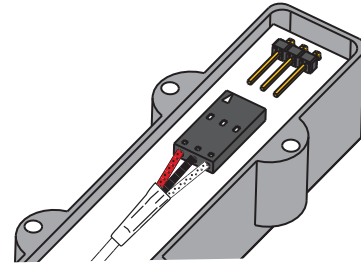
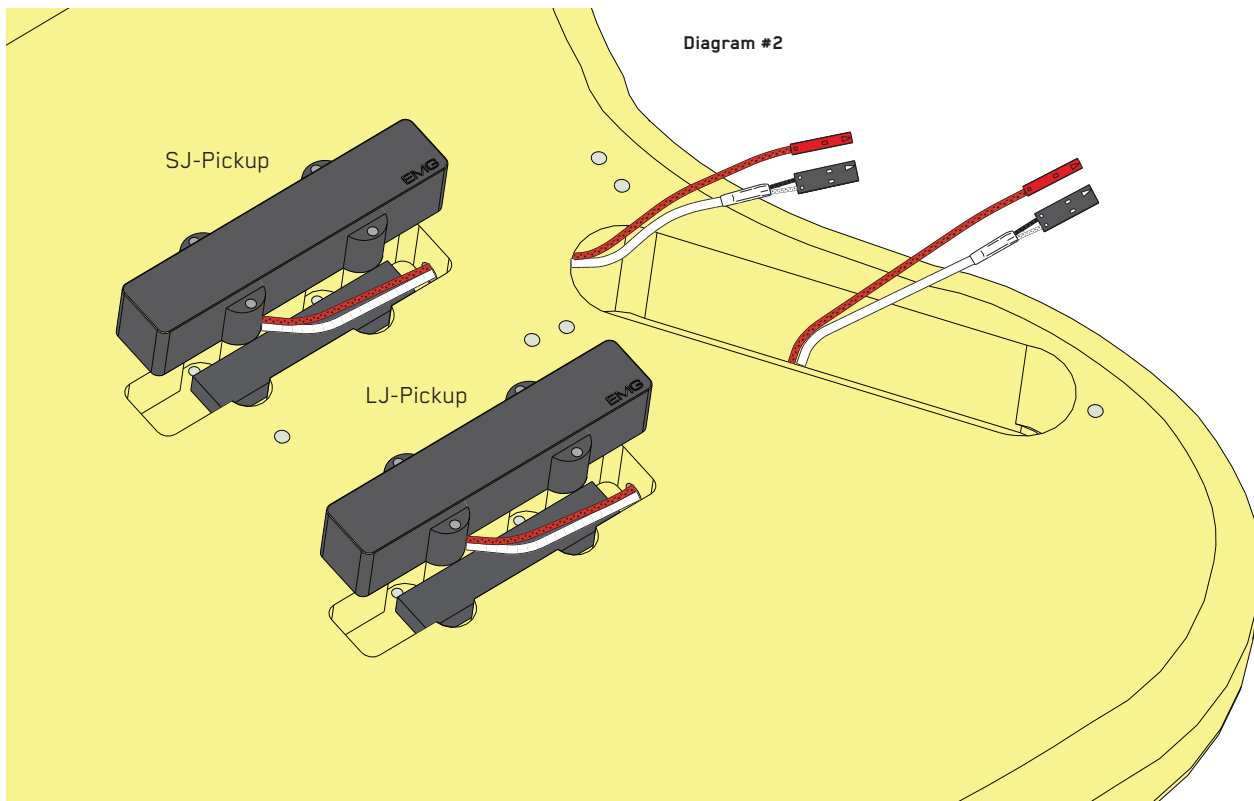


Diagram #1

Insert the plug onto the 3 pin header of the pickup as shown above.

Note the orientation arrow.



**Installation Instructions:**

**EMG Models: JX, JAX, J-CS-X SYSTEM (4 /5-STRING)**

**Mounting the Controls:**

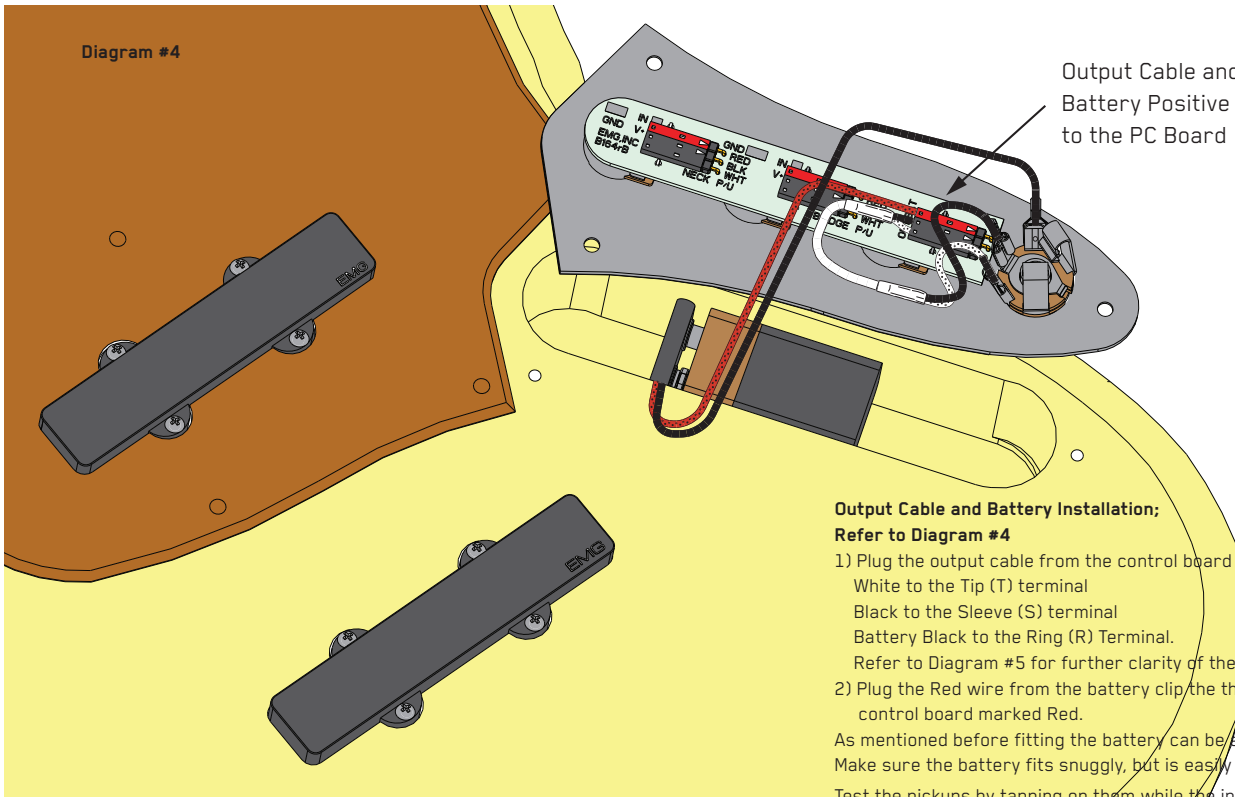
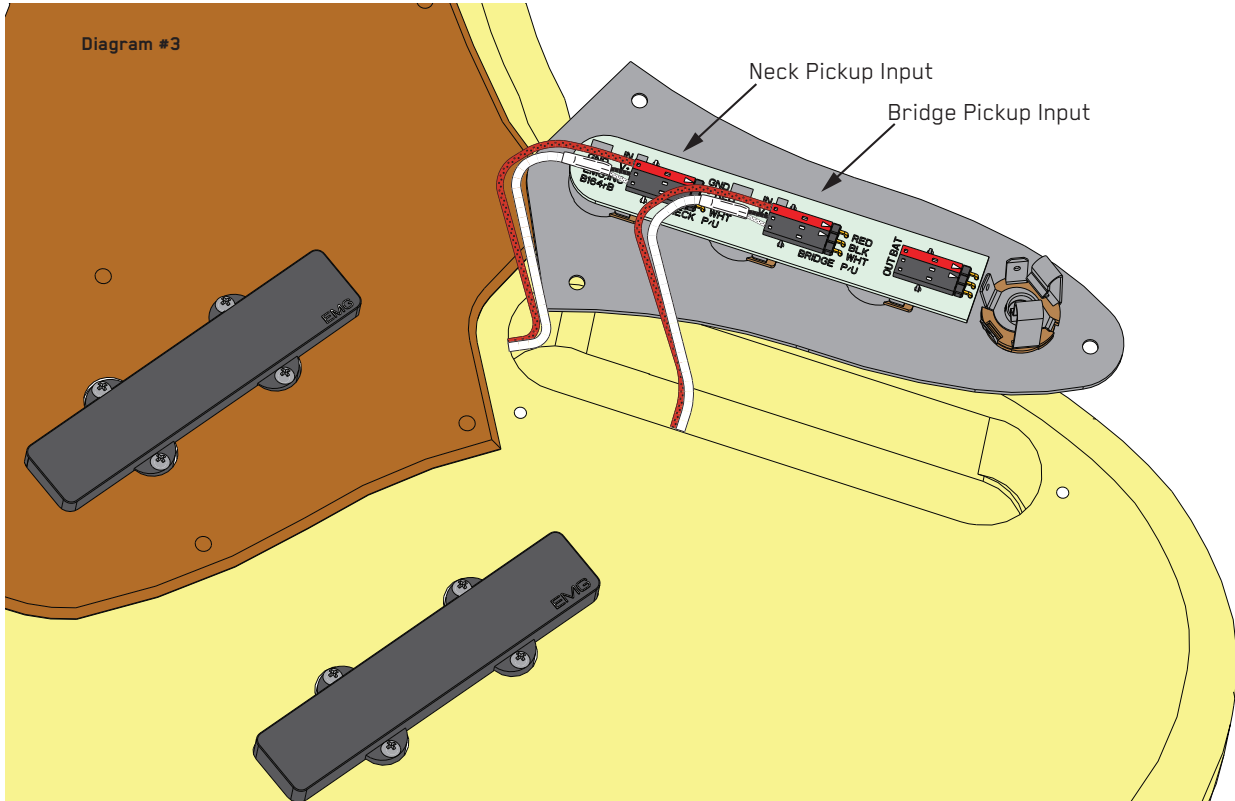
Refer to Diagram #3

- 1) Remove the existing controls from the control plate and mount the EMG controls as shown to the right. Be sure the PC Board on the switch is facing the same direction as the diagram shows.

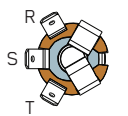
**Plug in the Pickups:**

Refer to Diagram #3

- 1) Plug the Pickup cables onto the switch PC Board as shown. Neck Pickup to the NEK Input. Bridge Pickup to the BRG input.



**Diagram #5**



**OUTPUT JACK BOTTOM VIEW**

**Output Cable and Battery Installation; Refer to Diagram #4**

- 1) Plug the output cable from the control board to the output jack. White to the Tip (T) terminal. Black to the Sleeve (S) terminal. Battery Black to the Ring (R) Terminal. Refer to Diagram #5 for further clarity of the Jack terminals.
- 2) Plug the Red wire from the battery clip to the terminal on the control board marked Red.

As mentioned before fitting the battery can be a problem. Make sure the battery fits snugly, but is easily removable. Test the pickups by tapping on them while the instrument is plugged in, and if everything seems OK, fasten the control plate and adjust the pickups to your preference.

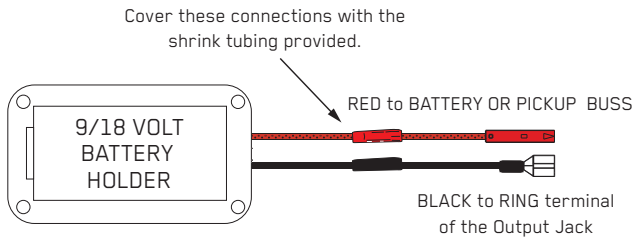
**Installation Instructions:**

**EMG Models: JX, JAX, J-CS-X SYSTEM (4 /5-STRING)**

**Diagram #5**

**If the instrument has a Battery Holder:**

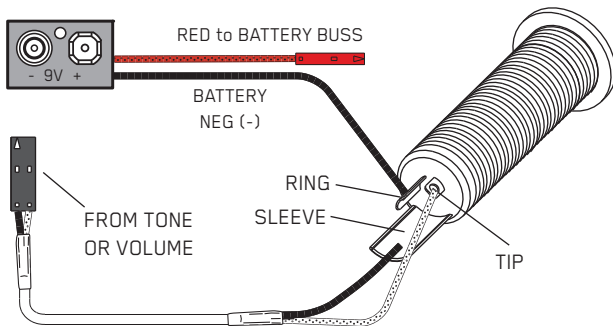
If your instrument has a 9 or 18 Volt battery holder you can still use the EMG Connectors to supply power to the pickups. Simply cut and strip the wires from the battery clip provided. Twist the wires together (Red to Red and Black to Black) and use the shrink tubing included to cover the connections. Soldering the wires is recommended.



**Diagram #7**

**Soldering to the 152B Panel Jack:**

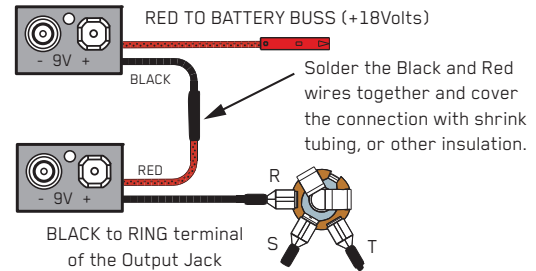
If your instrument has a long Panel Jack like the one below you will have to solder the output cable as shown. Ground (Black) to the Sleeve  
Signal (White) to the Tip  
Battery Negative (Black) to the Ring



**Diagram #6**

**+18 Volt Wiring Option:**

If you want to operate your instrument at +18 Volts for more headroom then use 2 batteries wired as below. Also, if you are using any type of EQ in your instrument (EMG-BT, BQ) or anything that boosts the pickup signal then +18 Volts is recommended.



**Diagram #8**

**Soldering to the battery buss:**

If your instrument has an older EMG Pickup you can solder the pickup RED wire to the buss. Simply use some needle nose pliers, pull out the V+ header and solder the RED Wire from the pickup(s) to any of the pins and then re-insert the header into the housing.

