



PO BOX 4394
SANTA ROSA, CA
95402 USA

P (707) 525-9941
F (707) 575-7046
EMGPICKUPS.COM

0230-0259-C

INSTALLATION INFORMATION

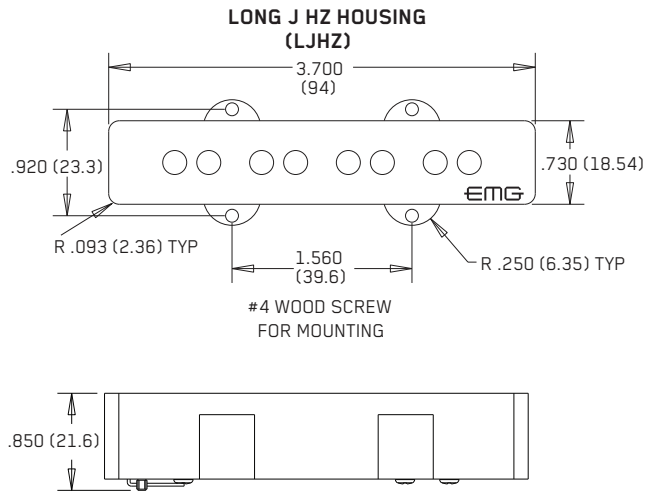
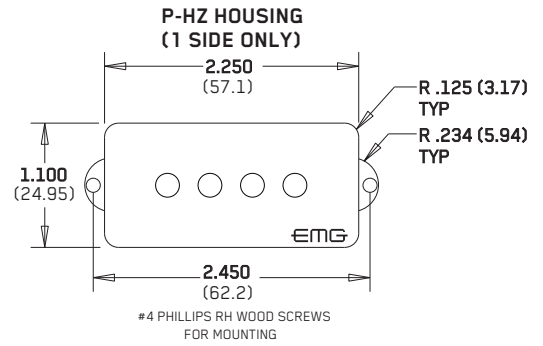
EMG MODEL: PJ-HZ SET

SPECIFICATIONS

Pickup Types: Passive
Logo Color
Magnet Type
Inductance (Henries)
DC Resistance (kOhm)
Resonant Frequency (KHz) (1)
Resonant Frequency (KHz) (2)
Impedance at Resonance (kOhm) (1)
(1) Loaded with 250K Volume and Tone
and 20' (6M) 560pf cable
(2) Loaded with 1 MegOhm / 47pf

MODEL:

P-HZ	LJ-HZ (LONG)
Gold	Gold
Alnico 5	Alnico 5
6.23	2.74
11.35	7.7
2.47	2.4
3.4	3.2
96.60	41.29

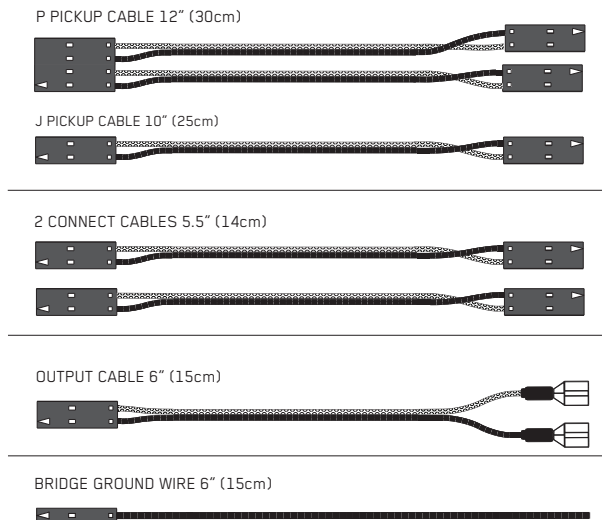
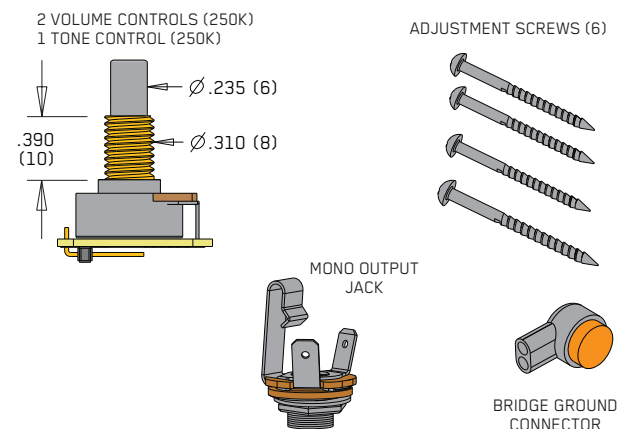


INSTALLATION NOTES:

As you can see from the diagrams above, the PJ-HZ Set consists of a P Style Pickup and the longer Bridge Pickup (LJ-HZ) from a J-HZ Set. It's common to use the longer bridge pickup when mixing with a P Style Pickup because the pole pieces of the bridge pickup are spaced further apart. All EMG-HZ Pickups are compatible with each other. The connector system is an easy method of installation, avoiding the need to solder. EMG Active Accessory Circuits like the VLPF, EXB, BTC or BQC Controls can be added to any EMG Pickup System and can be used on either passive or active pickups. Adding Active circuitry will require a battery.

It is common to ground (earth) the strings of an instrument that uses passive pickups. This means there will be a wire coming from the bridge into the control cavity that will be hooked to one of the pots. Included with the system is a single black wire with a connector on it and an IDC connector that will attach to the existing ground wire and will provide the ground (earth) connection.

INCLUDED WITH THE SET:



WARRANTY

All EMG Pickups and accessories are warranted for a period of two years. This warranty does not cover failure due to improper installation, abuse or damage. If upon examination the pickup is determined to be defective, a replacement will be made. Warranty replacement products are covered by this same warranty. This warranty covers only those pickups and accessories sold by authorized EMG Dealers. This warranty is not transferable.

Installation Instructions:

EMG Models: PJ-HZ SET

General Notes:

- Every attempt has been made to make this a solderless installation. There are some instances where this is not possible;
- 1) If your instrument uses the long panel output jack, soldering will be required
 - 2) Instruments with two pickups may need soldering to the selection switch in some installations.

Installation

- 1) Diagrams #1 and #1a show how to install the pickup cable onto the back of the pickups. It's a good idea to keep an extra length of cable in the pickup cavity if possible. Route the cables to the control cavity. Diagram #2 shows the color code of the cable, be sure to pay attention to the colors when you are installing the pickup and interconnect cables.
- 2) The most common method of wiring PJ Bass Pickups is using the Volume/Volume/Tone arrangement shown in Diagram #3. If your guitar is wired in the same fashion, simply follow the diagram and install the cables as shown.
- 3) If your instrument has a selection switch or the wiring is different, visit our website; emgpickups.com for more diagrams and video installations.

Diagram #1

Insert the plug onto the 2 pin header of the pickup as shown above. Note the orientation arrow.

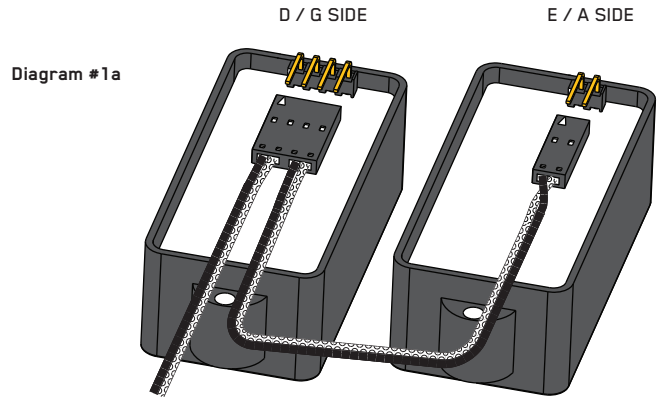
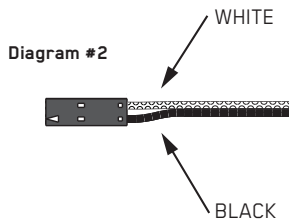
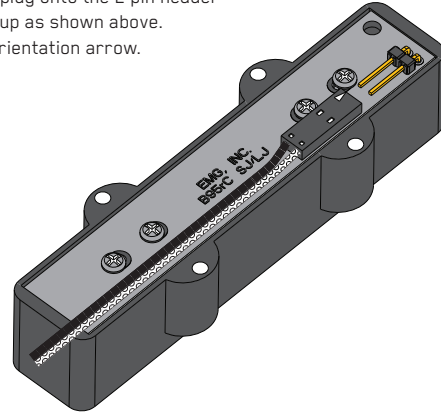
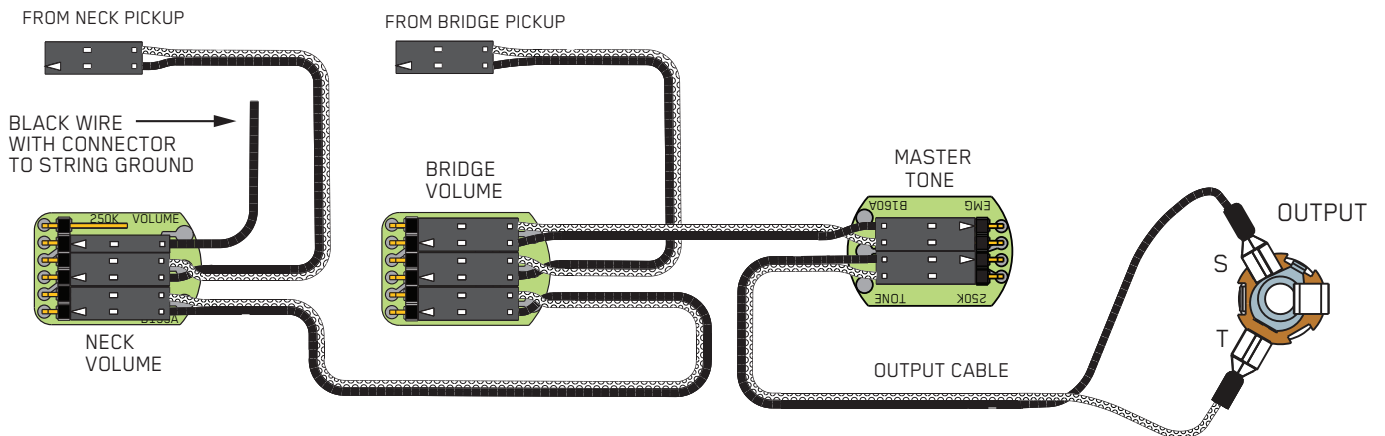


Diagram #3

2 Pickups
Volume / Volume/ Tone

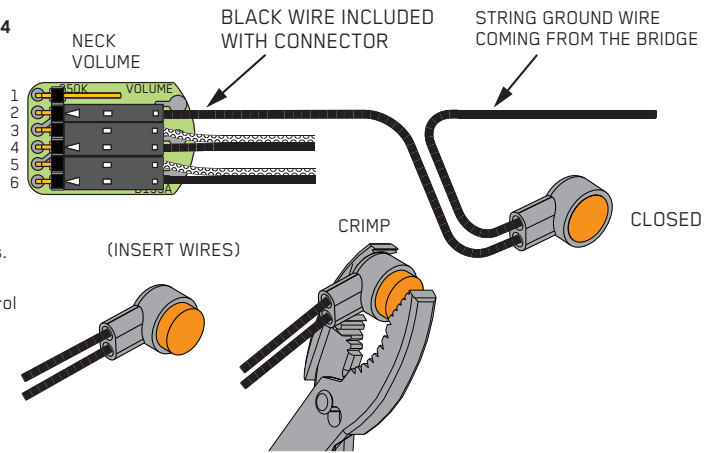


Attaching the bridge ground wire

6) Refer to Diagram #4.

As mentioned on page 1, it is common to "ground" (earth) the strings on guitars that have passive pickups. Included with the system is a black wire with a single black connector attached. Also included is an IDC connector for connecting the two wires together. Insert the bridge ground wire, and the connector wire into the IDC connector, crimp the connector with a pair of pliers until it snaps and this will connect the two wires. You don't need to strip the insulation from the wires. Push the black connector onto terminal 2 (GND) of the volume control as shown in the diagram. This will ground the strings to the system.

Diagram #4



Soldering to the 151 Panel Jack:

If your instrument has a long Panel Jack like the one below you will have to solder the output cable as shown.

Ground (Black) to the Sleeve

Signal (White) to the Tip

Diagram #5

