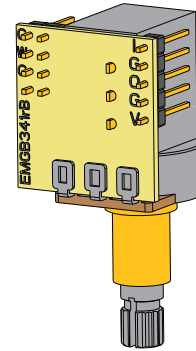




0230-0324-4B

PO BOX 4394
SANTA ROSA, CA
95402 USA

P (707) 525-9941
F (707) 575-7046
EMGPICKUPS.COM



INSTALLATION INFORMATION

EMG MODEL: EMG-B341 PI2 PUSH/PULL VOLUME /TONE

SPECIFICATIONS

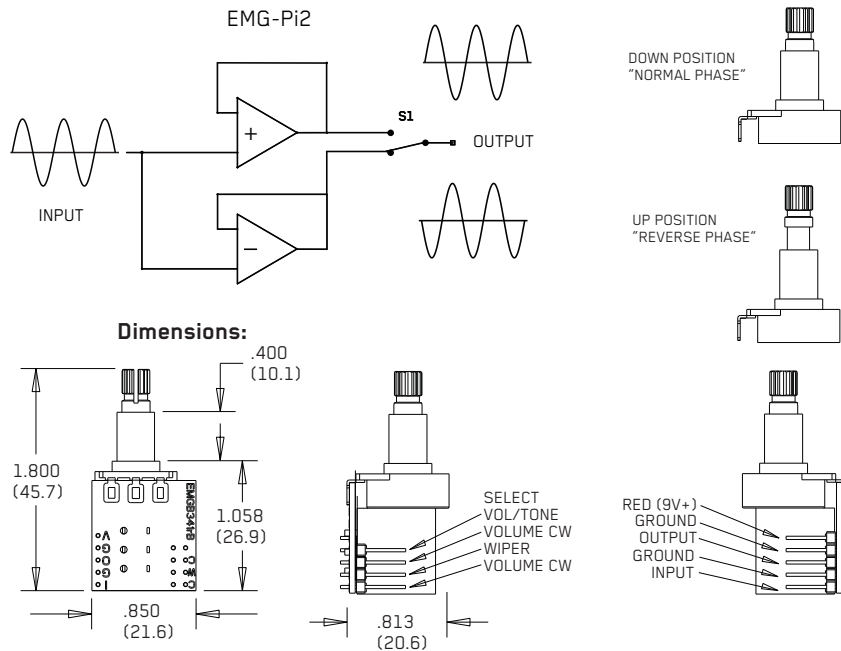
Input Impedance (Ohms)	250K
Input Referred Noise	-130dbV
Internal Gain	2.5db
Output Impedance (Ohms)	2K
Current @ 9V (Microamps)	980
Battery Life (Hours)	250
Maximum Supply (Volts DC)	18

INCLUDED:

- 1 Pi2 Control
- 1 Battery Clip with Buss Connector
- 1 Stereo Output Jack (Battery Switching)
- 2 Interconnect cables

GENERAL OPERATION:

The Pi2 is a phase reversal switch that electronically reverses the phase of the pickup. You must have two pickups on the instrument in order for the Pi2 to work. Reversing the phase of one of the pickups results in a tone that is typically very thin and "Funky" sounding and dependent upon the type of pickups, the distance between them, and their frequency response. The Pi2 can be installed on either pickup. On a three pickup guitar it is best installed on the middle pickup allowing phasing with both of the other pickups. The Pi2 does not provide the "phased" sound of Stratocaster* style guitars. That sound is derived from the simple mixing of two pickups in parallel in different places on the instrument. The sound of the Pi2 is very unique. This version of the Pi2 mounted to a push/pull pot (25K Ohm) allows you to use the pot for Volume or Tone for a pickup, or as a Master Volume or Tone for the instrument.



Warranty

All EMG Pickups and accessories are warranted for a period of two years. This warranty does not cover failure due to improper installation, abuse or damage. If upon examination the pickup is determined to be defective, a replacement will be made. Warranty replacement products are covered by this same warranty. This warranty covers only those pickups and accessories sold by authorized EMG Dealers. This warranty is not transferable.

© 2018 Copyright EMG INC. All Rights Reserved.

Installation Instructions:
EMG Model: Pi2 Phase Inverter

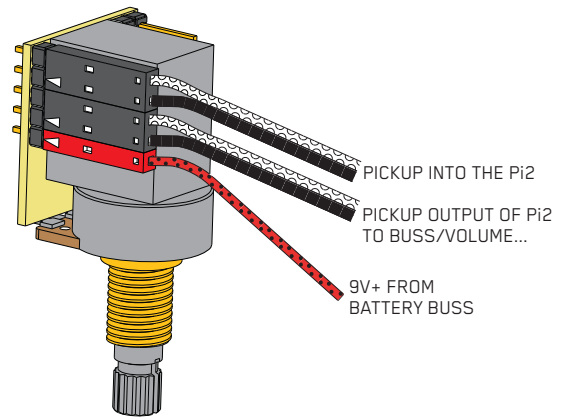
The B341 Phase/Volume Control Combination should be thought of as 2 separate components. The Pi2 is operated by the up/down motion switching of the pot shaft. The Volume / Tone Control is a completely separate unit that can be used on the pickup being phased or, as a Master Volume or Tone Control for the instrument. It depends on how your instrument is wired.

The Pi2 is always wired in series with the signal chain and can be installed on either pickup. Plug the pickup output into the Pi2 as shown in Diagram #1. The output of the Pi2 will then be routed to wherever you want to send the signal. Since there are many ways to wire a guitar, the choice is yours where to send the signal. Typically the signal would go to the B245 Buss, or it can go to the volume control of the Push/Pull Pot.

If the diagram you need isn't shown, use any of the existing EMG Wiring diagrams and simply place the Pi2 in series with either pickup similar to the diagrams shown.

All of the EMG Active controls use the same 5-pin connector shown below.

Diagram #1



Volume / Tone Control Section:

Diagram #2 shows the input and output of the Volume Control. The Volume Control can be used for just the pickup being phased, or it can be used as a Master Volume for the Instrument. The Blue Shunt must be installed for the Volume control to work. Diagram #2a shows the shunt removed. Now the control will work as a tone control.

Diagram #3 shows the output of the Pi2 looped directly to the Volume Control of the Push/Pull Pot. The Volume Control is now used for just the pickup being phased, and the output of the Volume Control can be sent to... See Diagram #4 Below as an example.

Diagram #2

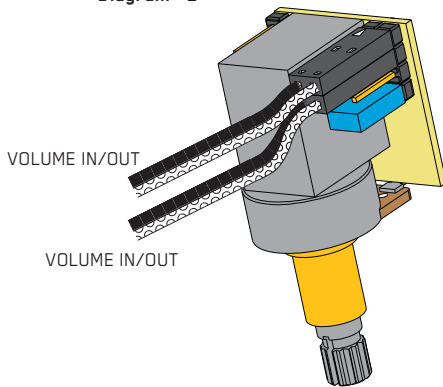


Diagram #2a

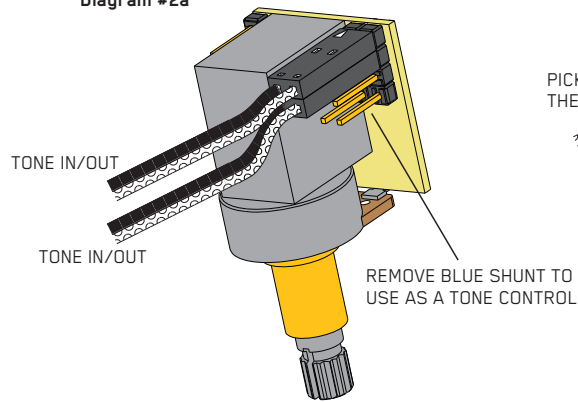


Diagram #3

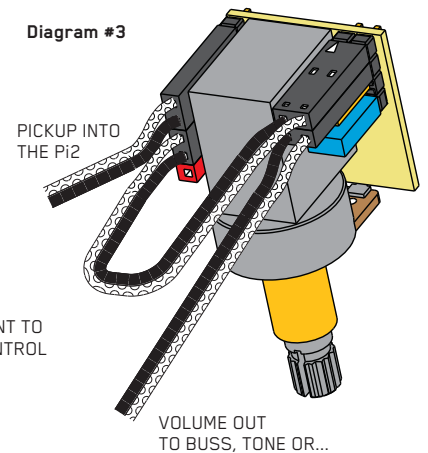


Diagram #4
 2 Pickups
 Pi2 on PP Pot
 Neck Volume on PP Pot
 Passive Tone
 Toggle Style Switch

