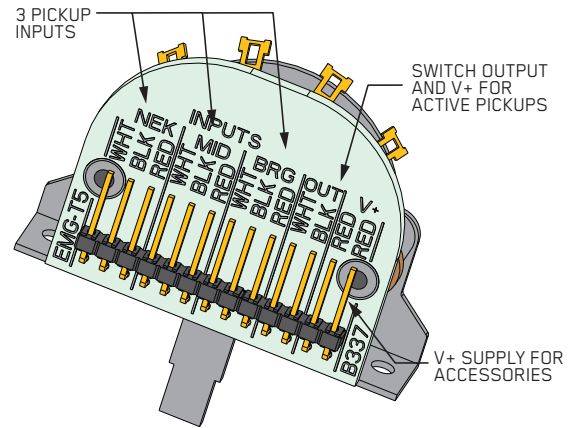
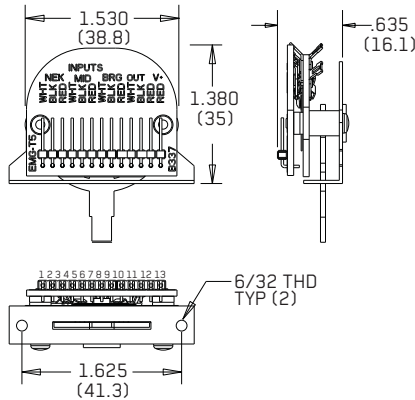




PO BOX 4394
SANTA ROSA, CA
95402 USA

P (707) 525-9941
F (707) 575-7046
EMGPICKUPS.COM

0230-0321



INSTALLATION INFORMATION EMG MODEL: B337 5-POSITION SWITCH BUSS FOR 3 PICKUPS (ACTIVE AND PASSIVE PICKUPS)

GENERAL INFORMATION:

The EMG B337 5-Position Switch Buss is designed for 3 Pickup guitars. Either for a Strat* Style guitar or for adding an additional pickup to a Tele* Style Guitar, or for having a simple selection switch for any 3 pickup guitar. It provides a convenient way to install EMG Pickups without soldering. The B337 Switch buss includes an input section for three pickups, output section and a supply buss for distributing 9V+ battery power to the pickups. An additional V+ pin for adding EMG Accessories like the SPC, RPC, or other is also on the switch. You can use the switch for passive pickups as well.

Wiring Note:

Passive Pickups:

If you are using passive pickups, simply do not use the Red pins on the inputs.

The EMG B337 Switch Buss has 3 primary sections.

Read the instructions and use the diagrams for assistance.

Section 1) Pickup Inputs:

Diagram #1 shows 3 pickups plugged into the Input section of the Switch Buss.

Be sure the pickup cables match the color legend on the PC Board.

Neck Pickup (NEK) on pins 1 and 2, Middle Pickup (MID) on pins 4 and 5, and Bridge Pickup (BRG) on pins 7 and 8.

Plug the Red wires from the pickups onto pins 3, 6, and 9 marked RED.

Section 2) Output / Battery Supply:

Diagram #2 shows the output of the switch, as well as the battery supply.

The output Pins, 10 and 11 are ground and signal output.

The battery RED wire can go to pin 12 or pin 13, either can be used for supplying 9V+ to the pickups while the other can be used to supply added EMG Accessories.

Section 3) 9V+ for Accessories:

Diagram #3 shows the additional pin available for battery supply. It can be used to supply EMG Accessories. As mentioned above pins 12 and 13 are interchangeable. If you use pin 12 for the battery supply, pin 13 can be used for accessories or vice-versa.

