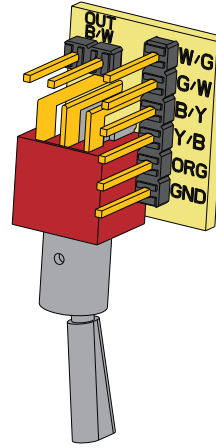




0230-0319

PO BOX 4394  
SANTA ROSA, CA  
95402 USA

P (707) 525-9941  
F (707) 575-7046  
EMGPICKUPS.COM



## INSTALLATION INFORMATION EMG MODEL: TW DPDT SWITCH B330

### INSTALLATION NOTES:

The TW DPDT switch is meant to replace the push/pull pot that is supplied with all TW Products i.e EMG-89, 81TW. When you use the TW DPDT you will need a volume (or tone) control to replace the control attached to the push/pull pot. The TW DPDT uses EMG's solderless installation so you can refer to the datasheet that came with your pickup if need be.

### Connecting the the DPDT TW Switch Input

Refer to Diagrams #1 and #2

The DPDT TW Switch lets you choose between the single-coil sound and a dual-coil sound.

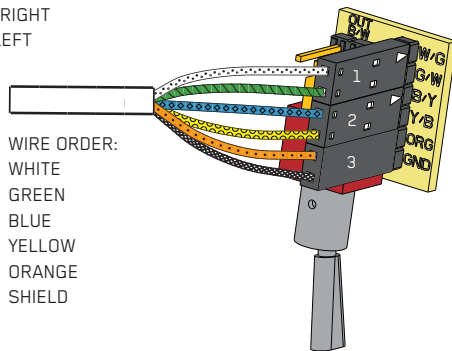
Diagrams #1 or #2 show how to connect the TW Pickup cable to the switch.

Install the connectors coming from the pickup as shown in Diagram #1, if you want to reverse the switch selection you can either rotate the switch or you can simply reverse connectors 1 and 2 as shown in Diagram #2 and this will reverse the operation of the switch.

Connector 3 remains the same for either choice.

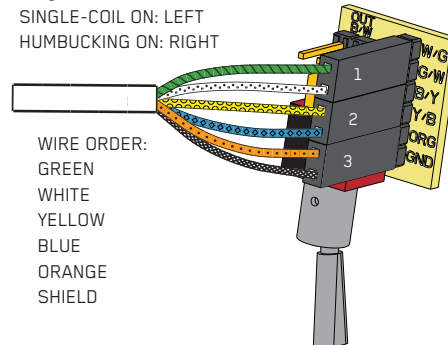
#### Diagram #1

HUMBUCKING ON: RIGHT  
SINGLE COIL ON: LEFT



#### Diagram #2

SINGLE-COIL ON: LEFT  
HUMBUCKING ON: RIGHT



### Connecting the the DPDT TW Switch Output

Refer to Diagram #3

The Output signal of the pickup (both single and dual-coil) comes from the 2 pin header located just above the switch.

Insert a wire connector as shown and be sure the B/W (Black/White) wires align with the board legend.

