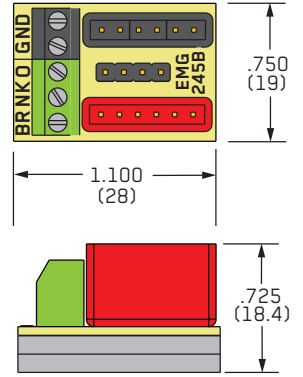
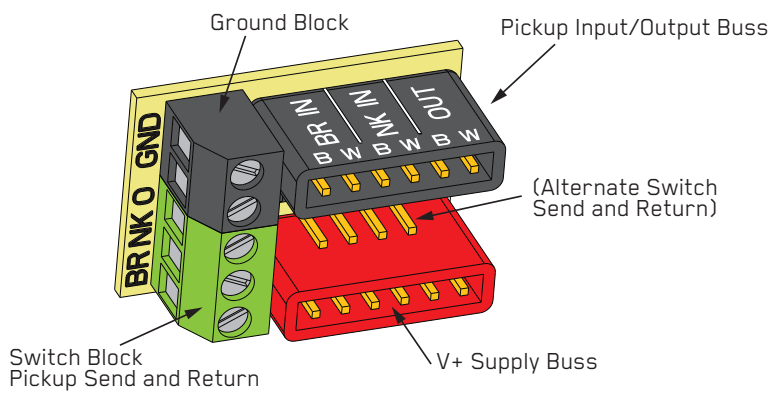




PO BOX 4394
SANTA ROSA, CA
95402 USA

P (707) 525-9941
F (707) 575-7046
EMGPICKUPS.COM



INSTALLATION INFORMATION EMG MODEL: B245 EMG PICKUP BUSS FOR 2 PICKUPS USING A SELECTION SWITCH (ACTIVE OR PASSIVE EMG PICKUPS)

GENERAL INFORMATION:

The B245 EMG Pickup Buss is used on two pickup guitars that have a selection switch. The buss provides a convenient way to install either Active or Passive EMG Pickups without soldering. The buss includes input/output for the pickup signals, a V+ buss for supplying EMG active pickups and accessories with battery power, and a two section terminal block for connecting the selection switch and any ground wires. It also features an alternate switch send / return for guitars equipped with a .10" (2.54mm) connector.

Notes about the Diagrams:

The diagrams on this sheet are to introduce a basic understanding of the B245 Buss. Additional diagrams are included on the data sheets that are included with each EMG Pickup. These diagrams assume there is a selection switch on your instrument. If you are wiring an instrument with EMG-HZ Passive Pickups the pickup cables will be different and the Red Power buss will not be used.

Pickup Input/Output Buss:

This is the 6 pin header with the **BLACK** shroud.
The shroud is marked;
BR IN (Bridge Pickup input)
NK IN (Neck Pickup input)
OUT (Output)

Diagram #1 (Master Volume / Master Tone Controls)

This diagram shows the pickups plugged directly into the Input/Output buss (BR IN and NK IN). Use Diagram #1 if your guitar has only a Master Volume, or just a Master Volume and Tone. The output of the buss (OUT) will go to the Master Volume Control, then to the tone control, and finally to the output jack.

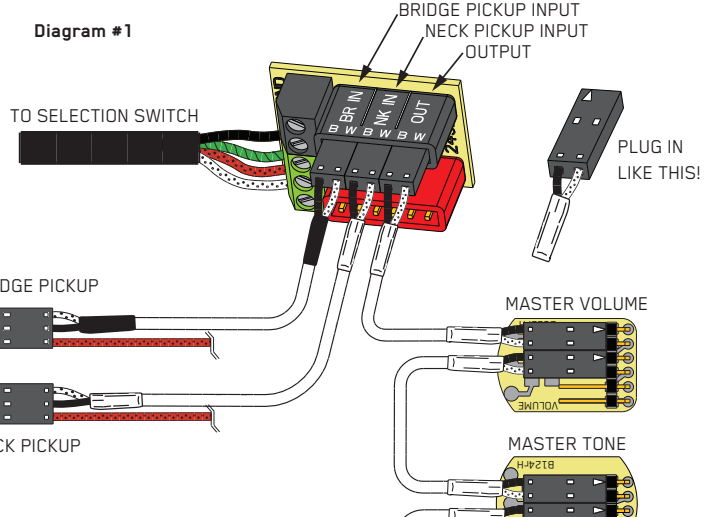
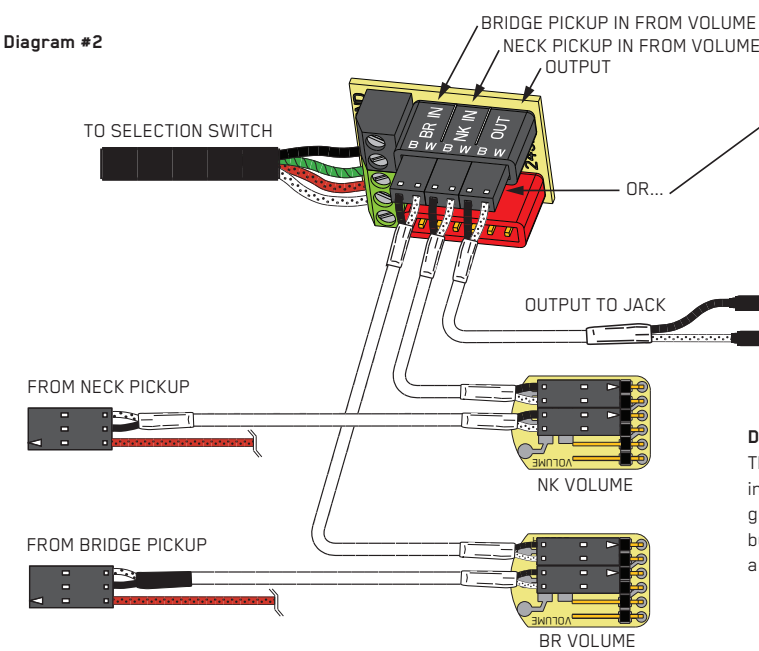


Diagram #2



Diagrams #2 and 2a (Separate Volumes for each Pickup)

This diagram shows the pickups plugged into the volume controls, then into the Input/Output buss (BR IN, and NK IN). Use diagram #2 if your guitar has a separate Volume control for each pickup. The output of the buss (OUT) can go directly to the output jack as shown, or it might go to a Master Tone Control, then to the output jack as shown in Diagram #2a.

© 2014 Copyright EMG INC. All Rights Reserved.

Switch Block:

This is the **GREEN** Section of the terminal Block.

The Pickup Signals are routed to and from the selection switch via the GREEN terminal Block. Strip the wires and insert them into the terminal block as shown. Tighten the screws with a small screwdriver. Two styles of switch are shown, toggle (diagram #4) and lever (diagram #5) The wires from the switch (wire colors are not important) go to the following terminals on the Switch terminal block.

The **BR** terminal is for the Bridge Pickup
The **NK** terminal is for the Neck Pickup
The **O** terminal is for the Output from the switch
The **GND** terminal is for the switch ground wire

Diagram #4

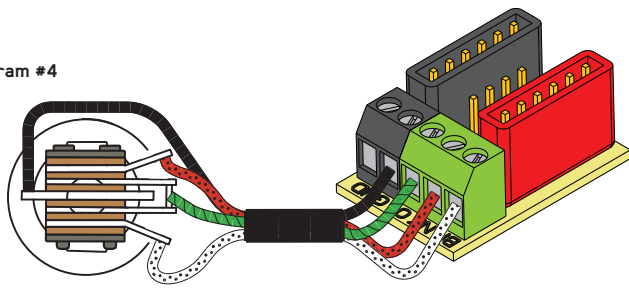
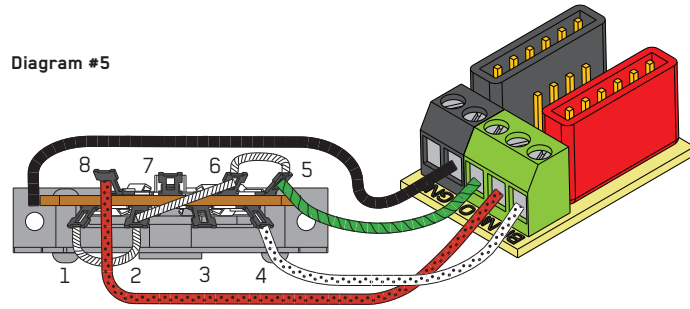


Diagram #5



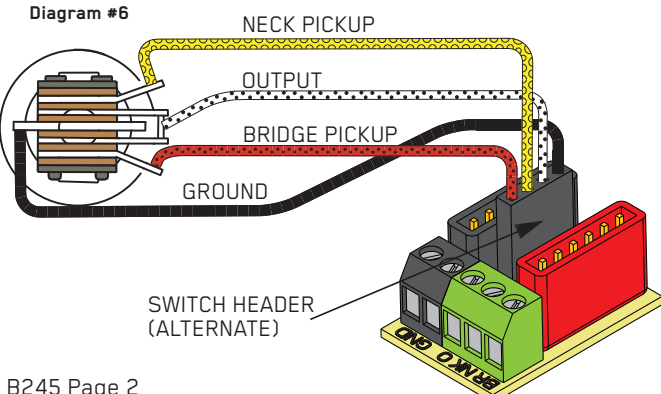
Section 2a) Switch Header (Alternate)

This alternate Switch header is for guitars that have a connector already pre-wired with similar 0.1 (2.5mm) inch spaced connectors that come from the switch. Newer model Epiphone Les Paul Models feature a connector from the selection switch. The color code of the Epiphone connector is:

Black (Ground)
White (Switch Output)
Yellow (Neck Pickup)
Red (Bridge Pickup)

The Switch Header (4 pin header between the black and red shrouds) performs the same function as the green terminal block, only it uses a plug on connector. If your instrument has a connector that is compatible with the alternate header you will not need to use the GREEN terminal block.

Diagram #6



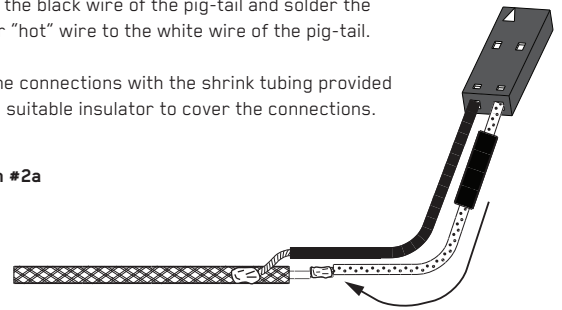
B245 Page 2

If you have pickups that do not have a connector terminals, 2 "pig-tails" are provided so you can solder your pickup cables to them and plug them in to the EMG System.

Solder the ground wire (or shield) of your pickup cable to the black wire of the pig-tail and solder the signal or "hot" wire to the white wire of the pig-tail.

Cover the connections with the shrink tubing provided or use a suitable insulator to cover the connections.

Diagram #2a



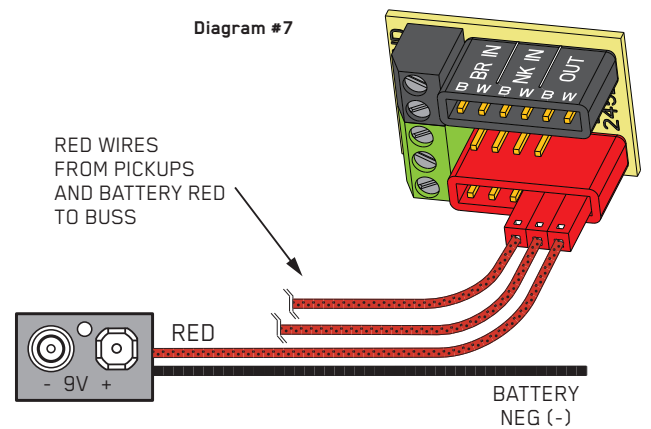
V+ Supply Buss

(for Active Pickups and accessories)

This is the 6 pin header with the **RED** Shroud

Diagram #7

The V+ Supply buss distributes 9V+ to the pickups and any EMG Accessory circuits such as the SPC, EXG, RPC, or BT. Plug the RED wire(s) of the pickups and accessories into the V+ Buss. Plug the RED wire of the battery clip into V+ Supply Buss.



Ground Block

(for Switch Ground / String Ground (Passive Pickups) or Ground wires from Pickup Cavities.

This is the **BLACK** Section of the terminal block.

2 terminals are provided, and as many as 4 (22 awg) wires can be accommodated. One terminal can be used for the ground wire from the switch, and the other can be used for any other ground wire requirements. This provides a convenient place to put ground wires from shielding or a bridge ground if your guitar has a passive pickup.

Diagram #9

