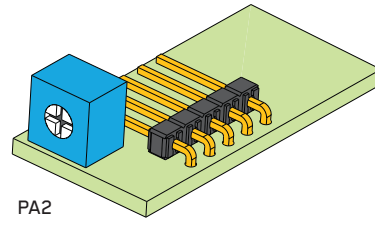




0230-0336rA

PO BOX 4394
SANTA ROSA, CA
95402 USA

P (707) 525-9941
F (707) 575-7046
EMGPICKUPS.COM



PA2
W/O SWITCH

INSTALLATION INFORMATION EMG MODELS: PA2 BOOSTER NO SWITCH (ACTIVE/PASSIVE PICKUP INPUTS)

SPECIFICATIONS

Input Impedance (Ohms)	500K
Input Referred Noise	-130dbV
Output Impedance (Ohms)	2K
Current @ 9V (Microamps)	290
Battery Life (Hours)	1725
Maximum Supply (Volts DC)	18

INCLUDED:

- 1 PA2 Control
- 1 Battery Clip with Buss Connector
- 1 Stereo Output Jack (Battery Switching)
- 4 Interconnect cables (1 Red/3 White)
- 1 Output Cable

GENERAL OPERATION:

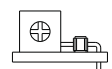
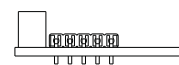
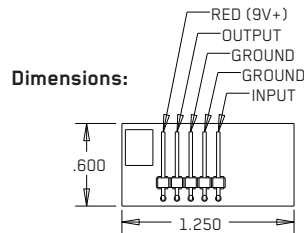
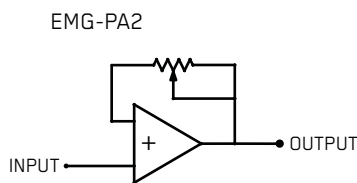
The PA2 is a booster pre-amp that can boost the output of any pickup, active or passive up to 20dB, the equivalent of 10 times normal gain. It is meant to be used at the output of the guitar just before the output jack. Because of the circuit configuration, high impedance pickups will have their output impedance converted to low impedance.. The PA2 does not change the phase of the pickup.

A few notes about boosting:

The amount of "clean" boost you can get from the PA2 is dependent upon the amount of gain you set on the trimpot and the level of power supply you have. The usual supply is 9 Volts. If you set the trimpot for maximum boost (20dB) the maximum input is .70 Volts when supplied with a 9-Volt battery. If you set the trimpot half way up (10dB) the maximum input will be 1.4 Volts input for a "clean" output. By increasing the power supply to 18 Volts, you can virtually double the "clean" headroom of the PA2.

Boosting beyond the "clean" level will only distort the signal and result in an "overdriven" sound.

As the battery voltage begins to drop from use, the amount of "Clean" headroom will diminish as well. If you want a clean boost, then replace your battery fairly often, or operate at 18 Volts to maximize headroom. If you don't care about how clean the signal is, but just want to blow your mind, don't worry about the supply voltage until you don't get the sound you're looking for then change the battery or... Just... Rock on!



WARRANTY

All EMG Pickups and accessories are warranted for a period of two years. This warranty does not cover failure due to improper installation, abuse or damage. If upon examination the pickup is determined to be defective, a replacement will be made. Warranty replacement products are covered by this same warranty. This warranty covers only those pickups and accessories sold by authorized EMG Dealers. This warranty is not transferable.

Installation Instructions:
EMG Model: PA2 (No Switch)

The PA2 requires a 1/4 inch hole (6.2mm) and the bushing length is 5/16 inches long (8mm). Optimum control compartment body thickness is less than 1/4 inch.

Like all EMG Accessory products, the PA2 uses EMG's 5-pin connector. Diagram #1 to the right shows how the plug-in connectors are installed. Be sure to reverse the input connector as shown. Keep in mind that all of the EMG Accessory controls can be substituted for one another since they all have buffered inputs and utilize the same 5-pin connector.

Diagrams #2 and #3 illustrate installations that have a single pickup and do not use a selection switch.

Pages 3 and 4 have diagrams that have 2 pickups and a selection switch, or 3 pickups and use the B161 five position selection switch/buss. If you have the B161, refer to that data sheet where more options regarding the 3-pickup instruments are available.

Note: Reversed connector! Pins 1 and 2 are reversed. Make sure the connectors are plugged on as shown.

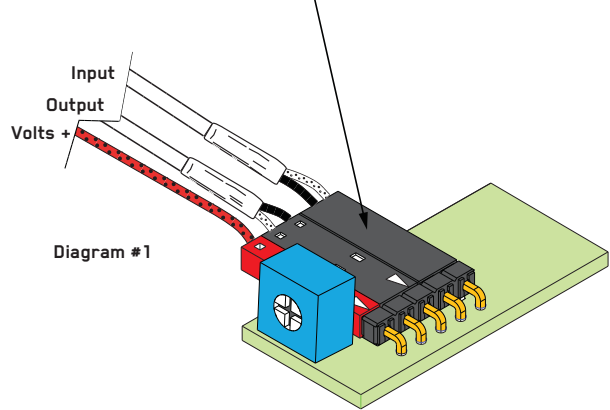


Diagram #2

- One Pickup
- One Volume
- One PA2 Booster

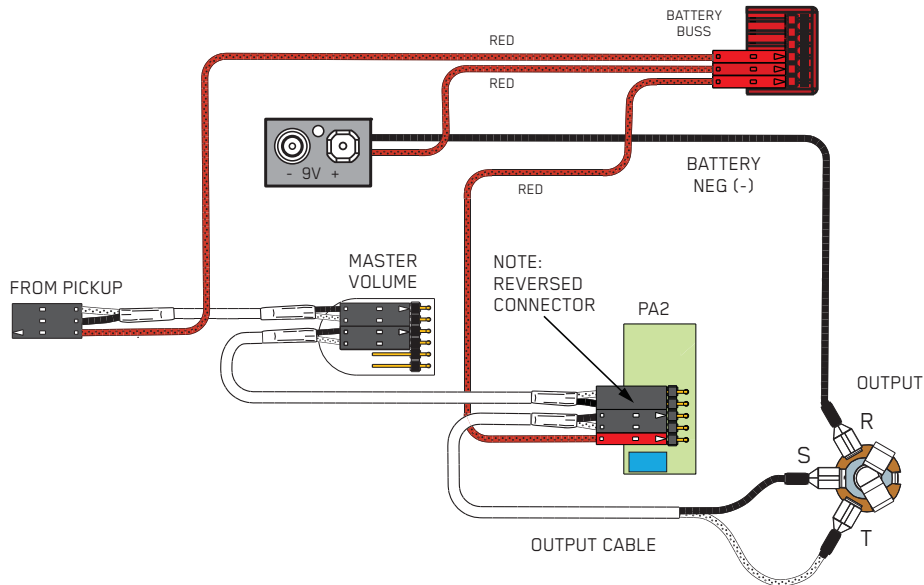
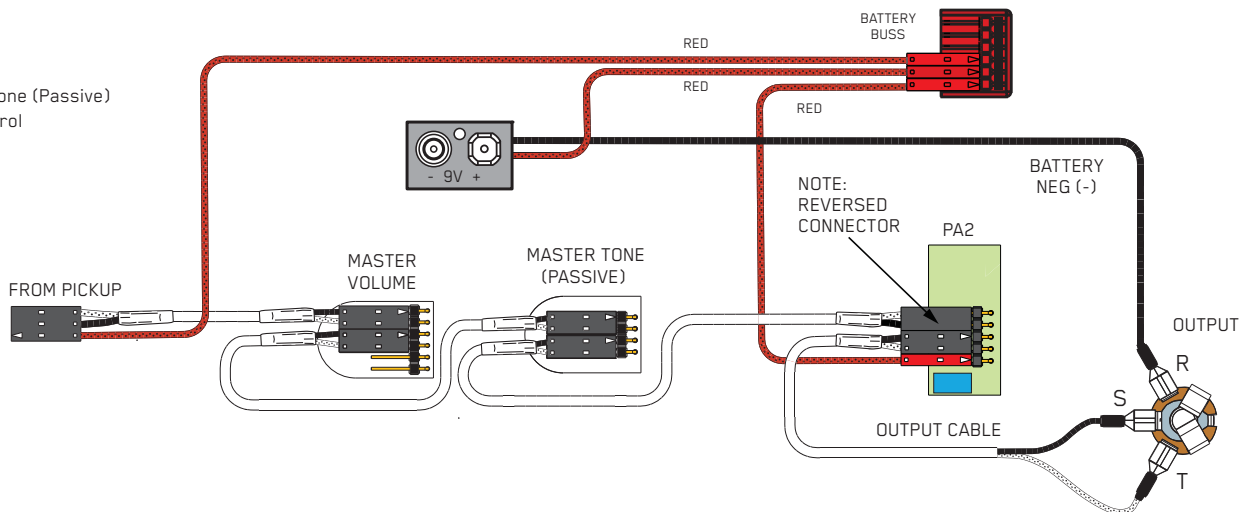


Diagram #3

- One Pickup
- One Volume
- One Master Tone (Passive)
- One PA2 Control



**Installation Instructions:
EMG Model: PA2 Control**

Diagram #4

- 2 Pickups
- Master Active Tone
- Toggle Style Switch
- Volume each Pickup
(Volumes are independent)
- PA2 Booster

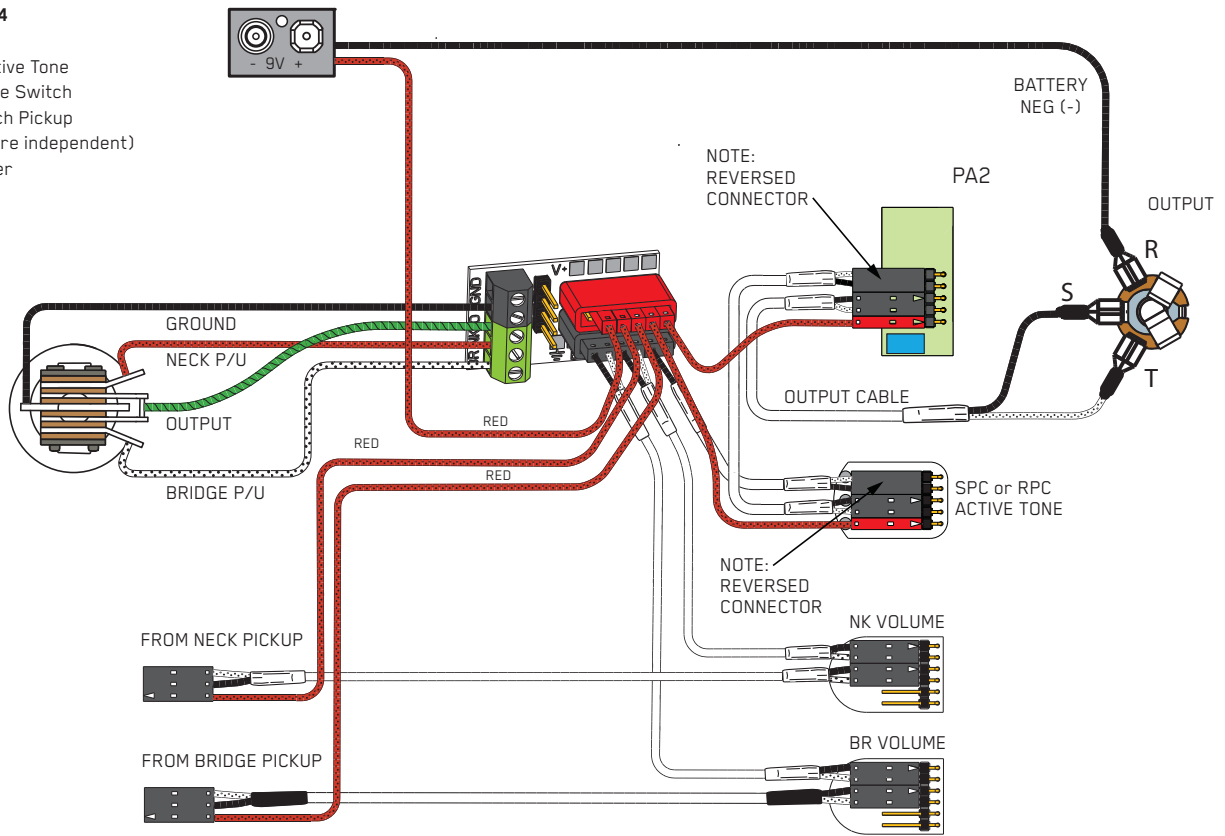
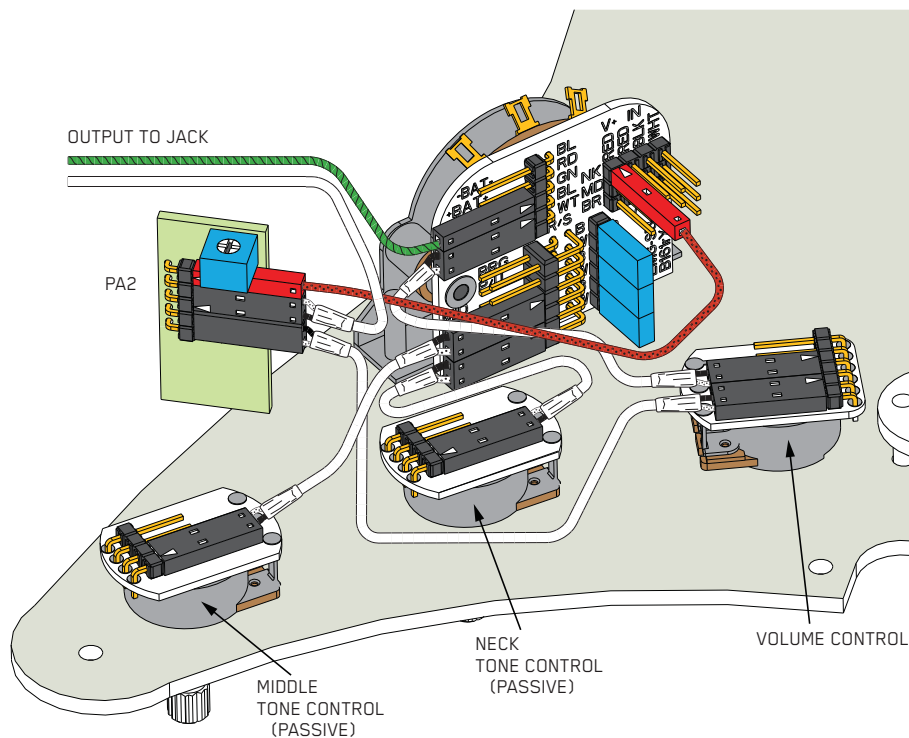


Diagram #5

- 3 Pickups
- One Master Volume
- Two Tone (Passive)
- One PA2 Booster



Installation Instructions:
EMG Model: PA2 Control

Diagram #6

- 3 Pickups
- One Master Volume
- One Tone (Passive)
- One SPC Control
- One PA2 No Switch

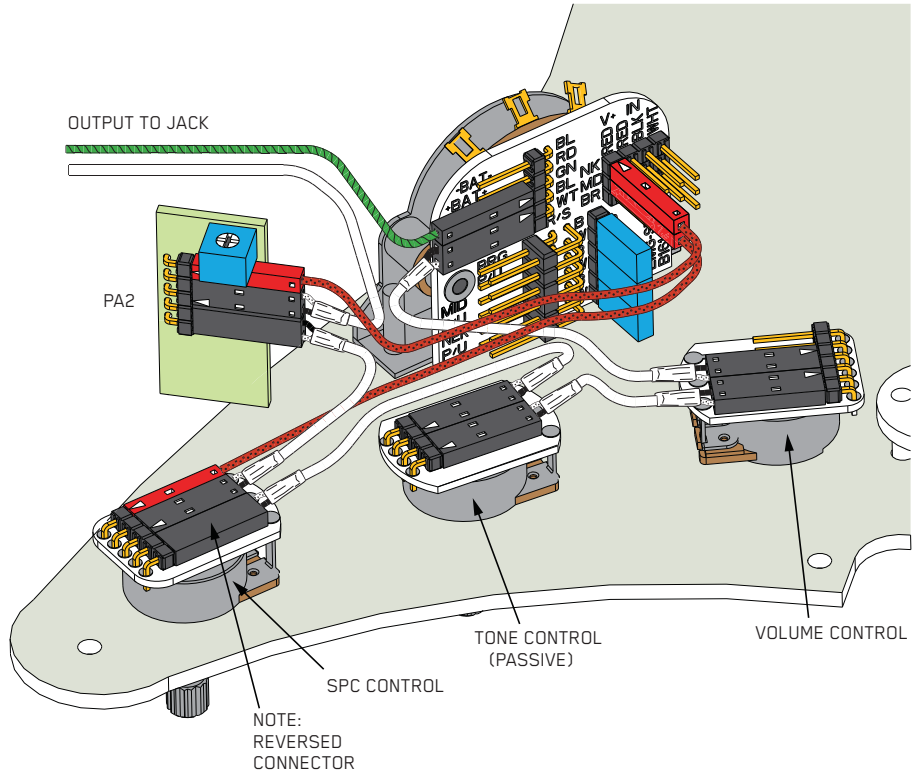


Diagram #7

- 3 Pickups
- One Master Volume
- One SPC Control
- One Tone (Active VLPF)
- One PA2 No Switch

