

0230-0254A

PO BOX 4394  
SANTA ROSA, CA  
95402 USA

P (707) 525-9941  
F (707) 575-7046  
EMGPICKUPS.COM

## INSTALLATION INFORMATION

### EMG MODEL: ACS SOUNDHOLE PICKUP

#### SPECIFICATIONS

|  |        |
|--|--------|
| Resonant Frequency                         | 14KHz  |
| Output Noise                               | -96dbV |
| Output Impedance (Ohms)                    | 2K     |
| Output Voltage                             | 0.5V   |
| Current Requirement (@ 6 Volts (Microamps) | 220    |
| Maximum Supply (Volts DC)                  | 27     |

#### TOOLS REQUIRED:

Electric Drill  
 31/64" Brad Point Drill  
 1/2" Ream  
 1/16" , 3/32" Hex Wrenches (Included)

#### INSTALLATION NOTES:

This is a very simple installation. Connectors are used throughout so soldering is not required. Once the installation is complete the EMG-ACS can be removed and reinstalled easily. Velcro is used to attach the pickup cable out of sight when the pickup is removed.

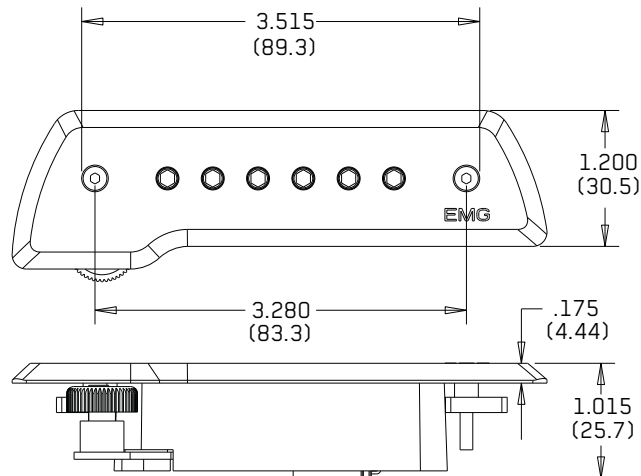
#### GENERAL OPERATION

The EMG-ACS is a full bandwidth pickup. For best performance it should be played through a full bandwidth system using a direct box with the signal sent directly to the mixing board. If you use an amplifier on stage it should be full bandwidth. Results from amplifiers "tuned" for piezo style pickups will yield poor results. Since the ACS is a magnetic pickup, you might find the best result is a simple guitar amplifier designed for magnetic pickups. The ACS also features a volume control.

#### STRING CHOICES/ POLE PIECES:

The EMG-ACS features adjustable pole pieces to compensate for different choices of strings. Typically a wound G String will have a smaller core than the B String, so the unwound B and E strings will be louder. The Pole pieces can be lowered for better string balance or they can be removed entirely.

#### Dimensions: ACS Soundhole Pickup



#### WARRANTY

All EMG Pickups and accessories are warranted for a period of two years. This warranty does not cover failure due to improper installation, abuse or damage. If upon examination the pickup is determined to be defective, a replacement will be made. Warranty replacement products are covered by this same warranty. This warranty covers only those pickups and accessories sold by authorized EMG Dealers. This warranty is not transferable.

## Installation Instructions:

### EMG Model: ACS

#### General Notes:

- 1) Remove the Strings.
- 2) Output Jack Installation:  
A 31/64 inch (12mm) hole is required for the output jack.  
The hole should be no larger than 1/2 inch in diameter.  
It is recommended that this hole be drilled by someone with the proper tools and skill to maintain the finish of your guitar.  
Read the following instructions before you proceed.

If your instrument does not have a strap button you can simply drill the 31/64" hole using the brad point drill. No pilot hole is required. If your instrument already has a strap button, remove it. Fill the strap button hole with a piece of wood doweling to provide a solid/flat surface for the brad point drill. Then drill the 31/64" hole, the dowel will be drilled out during the process. Remove the sawdust from the instrument and proceed.

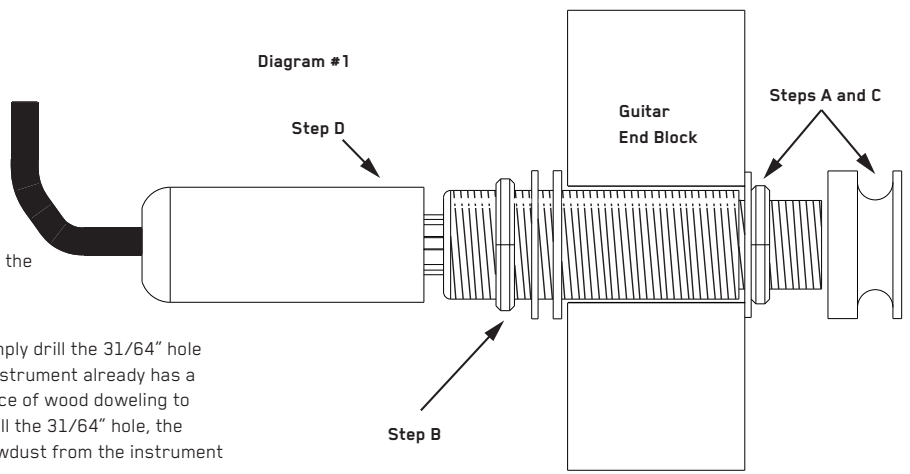
3) Refer to diagram #1

A) Remove the strap button, nut and finish washer from the jack.

B) Insert the jack through the soundhole, then through the end block of the guitar.  
At this point you will need to adjust the rear hex nut to allow for the thickness of the endblock. The rear hexnut should be adjusted allowing you to tighten the outer nut to get the jack nice and snug.

C) Re-attach the washer and nut and tighten into place then screw the strap peg on.

D) Thread the Shield cover onto the jack and tighten. The cable will be connected in the next step.

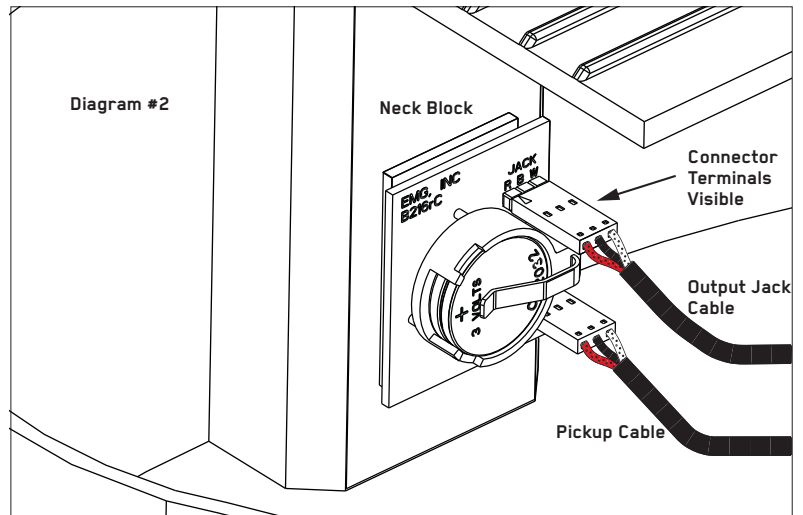


#### Battery Board Installation:

- 1) Install 2 CR2032 Lithium Cell Batteries into the battery holder as shown in Diagram #2. The positive (+) side of both batteries should be facing out, towards you.

Plug the output jack cable onto the 3-pin header marked JACK on the battery board. with the terminals facing up as shown. Also, plug the pickup cable (the end without the velcro) onto the 3-pin header marked PICKUP. The terminals on the pickup cable should also be facing up.

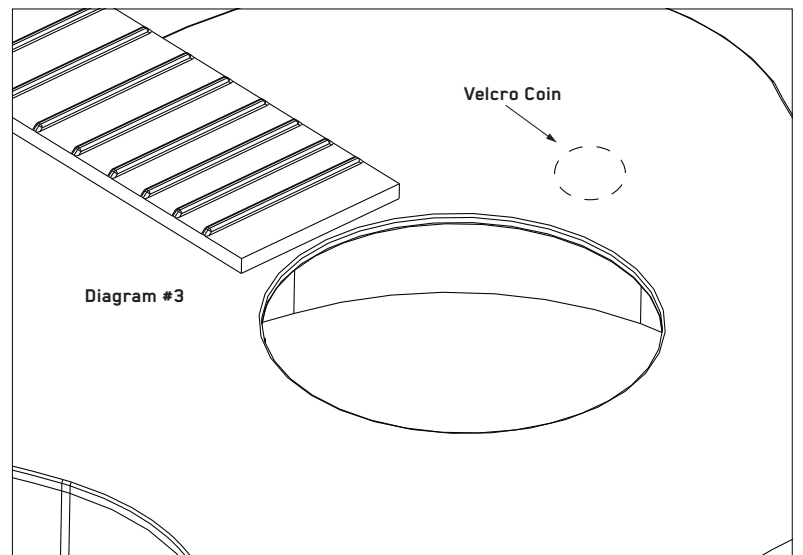
Before installing the battery board, be sure the neck block is clean and dust free. Remove the adhesive backing from the dual-lock fastener and adhere the entire battery assembly to the neck block. It takes about 24 hours to fully adhere.



#### Install the Velcro Coin:

Diagram #3 shows the Velcro coin installed on the inside of the guitar top. It's provided for convenience and not a necessary part of the installation. It makes it easy to affix the pickup cable if you remove the pickup for visibility reasons, or for travel. Remove any dust from the inside top of the guitar, remove the adhesive backing and fix the coin to the inside top of the instrument.

The matching piece of velcro is on the pickup cable.

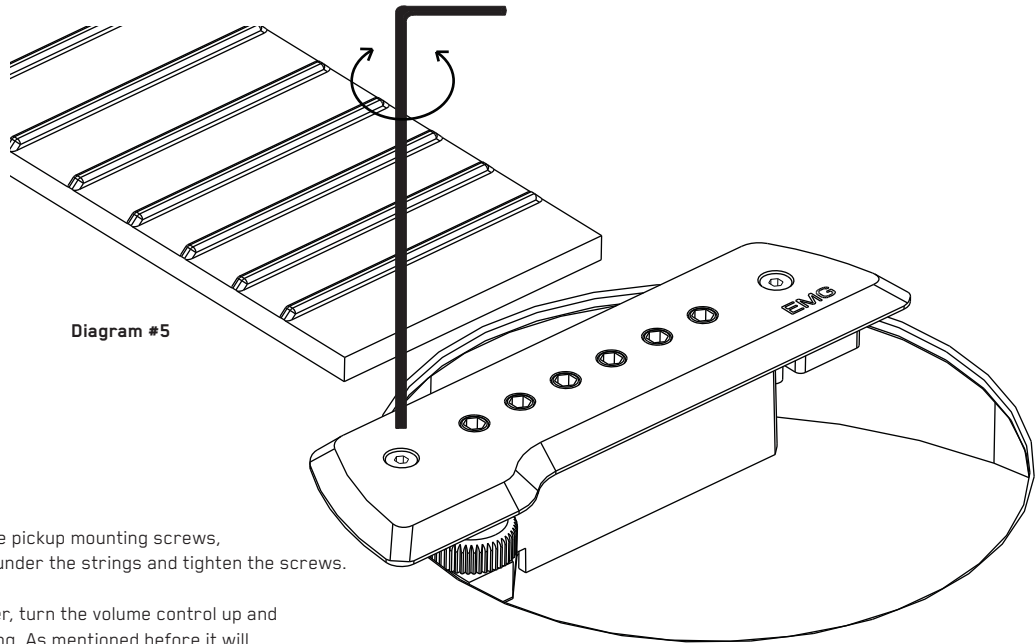
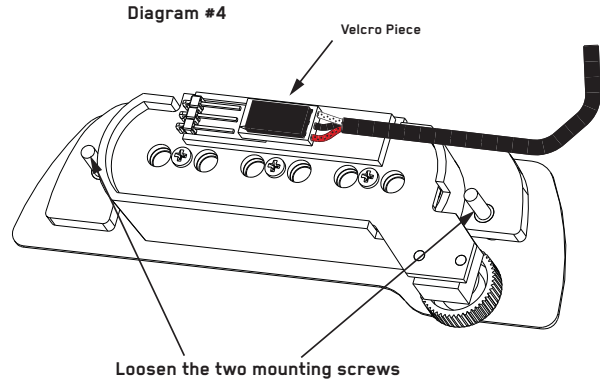


**Install the cable holders:**

Before installing the pickup it's a good idea to install the adhesive backed cable holders in the guitar. Refer to Diagram #6 below. It's easiest to slide the cable holders onto the cable, remove the adhesive backing and then place them as needed to prevent the cable(s) from banging around inside the guitar.

Install the ACS Pickup cable onto the pickup with the Velcro side up as shown in Diagram #4.

Loosen the two mounting screws by using the 1/16" Hex wrench included. It's not necessary to remove the bracket. Place the pickup in the soundhole towards the neck with the bracket on the underside of the soundboard and tighten the screws. See Diagram #5 below.



**And finally:**

Restring the guitar. Loosen the pickup mounting screws, align the pickup's pole pieces under the strings and tighten the screws.

Plug the guitar into an amplifier, turn the volume control up and make sure the pickup is working. As mentioned before it will probably be necessary to adjust the B and E Pole pieces to achieve good string balance. When adjusting the poles, be sure to turn down your amplifier.

Be sure to unplug your guitar when you're not using to conserve battery power. That's it, play on.

