

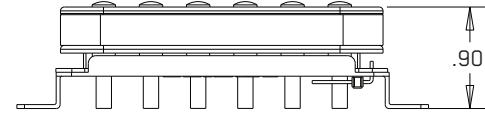
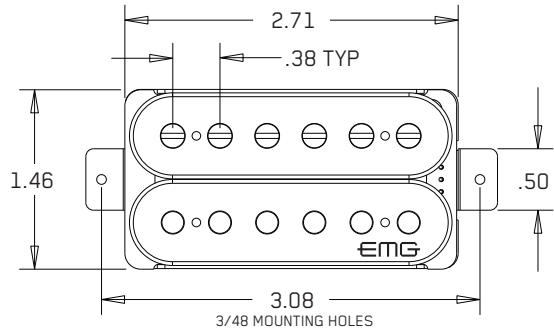


0230-0174-B

PO BOX 4394
SANTA ROSA, CA
95402 USA

P (707) 525-9941
F (707) 575-7046
EMGPICKUPS.COM

SRO-SERIES



INSTALLATION INFORMATION EMG MODELS: **SRO OC-1 NECK / BRIDGE**

SPECIFICATIONS:

MODEL:

	OC-1 Neck	OC-1 Bridge
Logo Color	Silver	Silver
Magnet Type *	A/S	A\S
Inductance (Henries) (1)	3.80	8.15
DC Resistance (kOhm)	7.35	16.90
Resonant Frequency (KHz) (2)	1.96	1.35
Resonant Frequency (KHz) (3)	3.18	1.95
Impedance at Resonance (kOhm) (2)	46.70	69.00

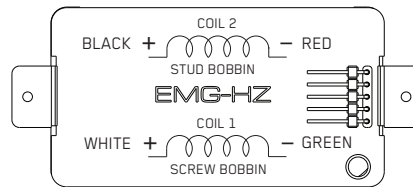
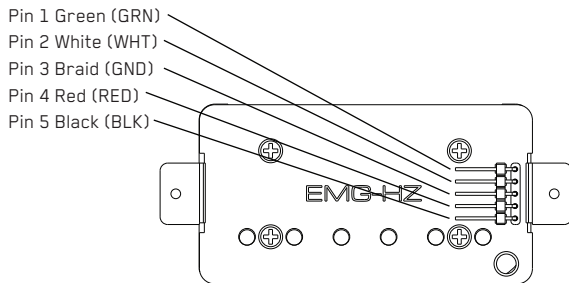
*Note: Magnet Type: A (Alnico) A/S (Alnico/Steel)

(1) Wired in Series

(2) Loaded with 500K Volume and Tone with a 20' (6M) Cable

(3) Loaded with 1 MegOhm / 47pf

EMG-SRO COIL WIRING



INSTALLATION NOTES:

The SRO Pickups are open-coil style passive pickups. Models OC-1 Neck and Bridge feature pole pieces spaced apart in a Standard Tune-o-Matic string spacing. The OC-1 Neck Pickup is very much a standard Humbucking style pickup featuring specifications similar to older vintage pickups. The OC-1 Bridge Pickup on the other hand features much higher inductance and resistance specifications yielding a more powerful pickup designed for the bridge pickup position on the guitar. Both pickups feature an Alnico 5 Magnet and steel poles. The connector system allows an easy method of interchanging pickups. The SRO 5-Wire Cable and wire legend are compatible with all other EMG-HZ Pickups, so any EMG-HZ Passive Pickup can be installed with an SRO Series Pickup. The 5-Wire cable allows Series/Parallel switching or simple single/dual-coil combinations can be used. For more information go to <http://www.emgpickups.com>.

SPECIAL NOTE: The Red Wire of the HZ Pickup is NOT for battery power, it is a coil wire.

WARRANTY

All EMG Pickups and accessories are warranted for a period of two years. This warranty does not cover failure due to improper installation, abuse or damage. If upon examination the pickup is determined to be defective, a replacement will be made. Warranty replacement products are covered by this same warranty. This warranty covers only those pickups and accessories sold by authorized EMG Dealers. This warranty is not transferable.

Installation Instructions:

EMG Models: SRO OC-1 Neck / Bridge

General Notes:

Diagram #1 shows the installation of the Pickup Cable.
Be sure to install it with the terminals as shown in the diagram.

Diagram #2 shows the Pickup cable itself. The cable is pre-wired as shown for "Series" wiring typical of Humbucking Pickups.
If you wish to reverse the phase of the signal refer to Diagram #3.
Send the Red wire to ground with the Shield and use the Green wire for output. In both cases the Black and White wires are hooked together and covered with an insulator.

Diagram #1

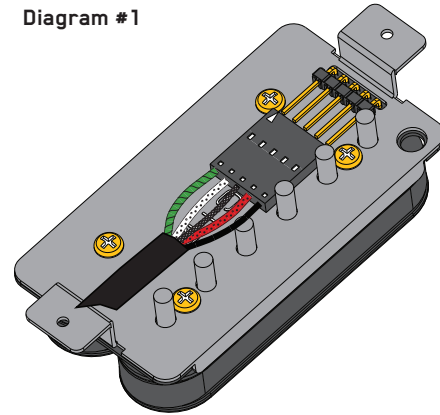


Diagram #2



Diagram #3
(Reverse Phase)

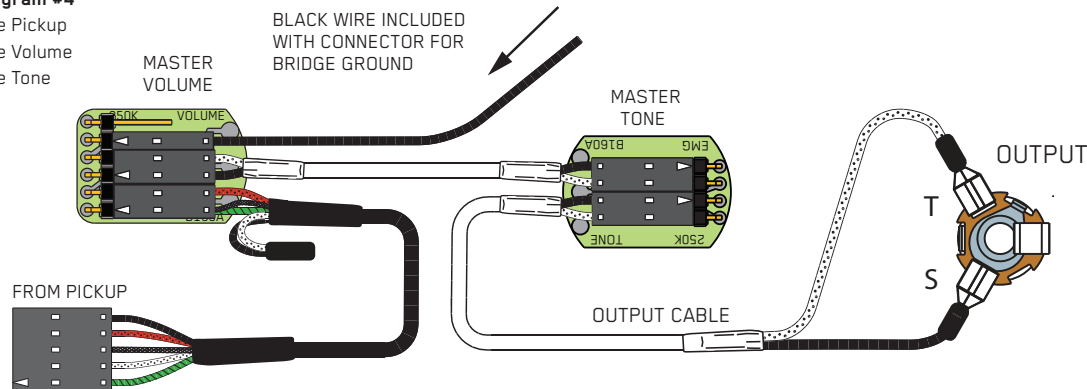


Common Wiring Diagrams:

Included in this data sheet are the most common wiring diagrams.
The first diagram features wiring for a single pickup, while the rest are for guitars with 2 Pickups and 2 styles of selection switch.

Diagram #4

One Pickup
One Volume
One Tone

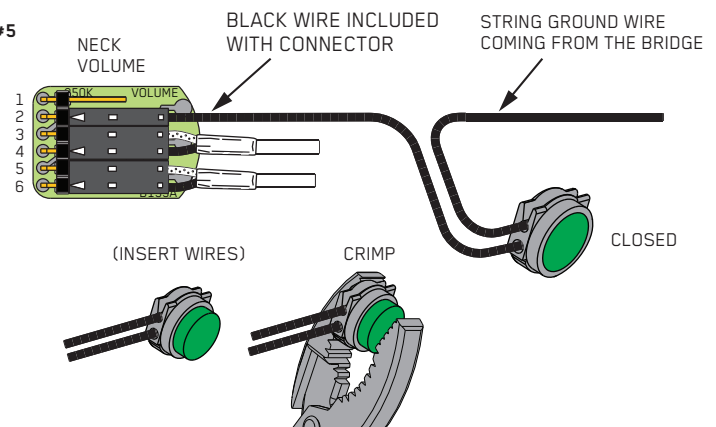


Attaching the bridge ground wire

6) Refer to Diagram #5

As mentioned on page 1, it is common to "ground" (earth) the strings on guitars that have passive pickups.
Included with the system is a black wire with a single black connector attached. Also included is an IDC connector for connecting the two wires together. Insert the bridge ground wire, and the connector wire into the IDC connector, crimp the connector with a pair of pliers until it snaps and this will connect the two wires.
You don't need to strip the insulation from the wires.
Push the black connector onto terminal 2 (GND) of the volume control as shown in the diagram. This will ground the strings to the system.

Diagram #5



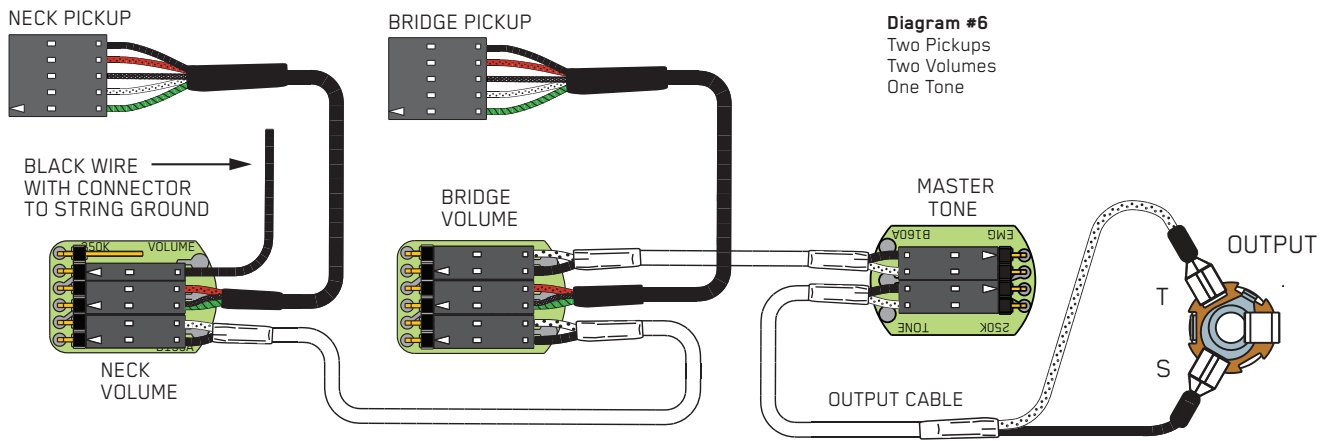


Diagram #6
Two Pickups
Two Volumes
One Tone

If your instrument has a selection switch:

Shown below is the EMG B245 Pickup Buss which is used for instruments that have 2 pickups and a 3 position selection switch. If you have a selection switch and want your installation to remain solderless, you'll need a B245 Buss. Either send an e-mail to: sales@emgpickups.com or call: 800 821-1446 to get the buss.

******Tips and Tricks******

Start your installation by:

- 1) Remove the strings
- 2) Remove any existing Pickups and controls
(remember the order and function of each control)
- 3) Determine a good spot for the Pickup Buss and make sure the cable or wires from the selection switch will reach the Pickup Buss,
- 4) Install the EMG Volume and Tone Controls and tighten them in.
- 5) Then install the pickups keeping any excess cable under the pickup rather than in the control cavity.

- 1) Install the Pickups and route the Pickup cables to the control cavity.
If the cables are too long, wind up the excess and keep it under the pickup.
- 2) Mount the Volume and Tone controls into the body.
Plug both Pickup cables into the Pickup Buss (BLACK Shroud) as shown,
Refer to Diagram #7
Bridge Pickup to **BR IN**
Neck Pickup to **NK IN**
- 3) Plug a coax cable from the Pickup Buss (**OUT**) to the Master Volume control as shown in the diagram.

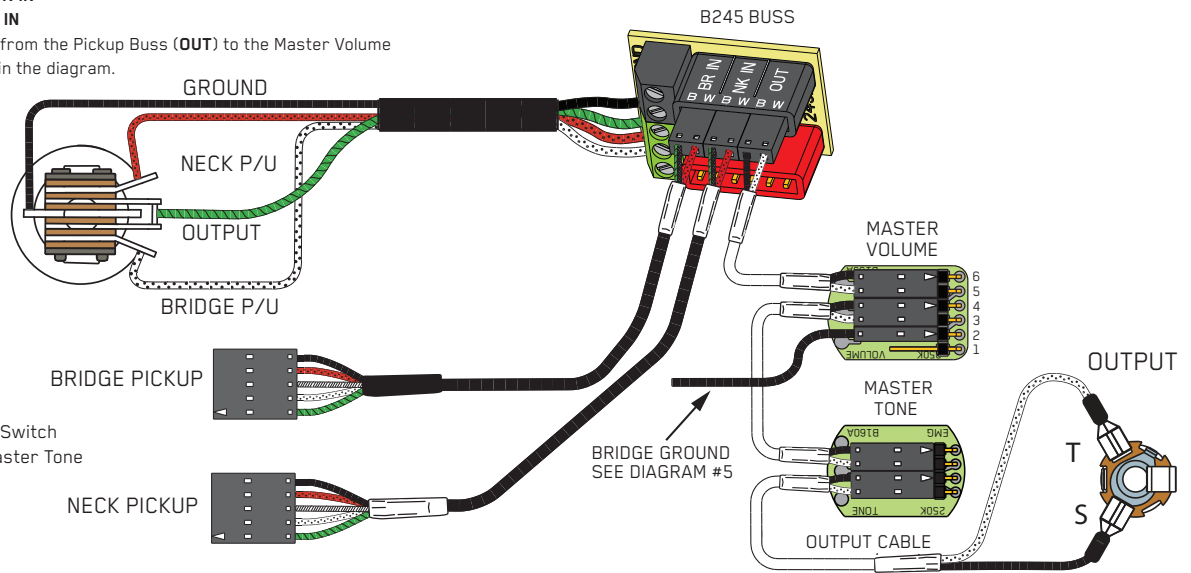


Diagram #7
2 Pickups
Toggle Style Select Switch
Master Volume / Master Tone

Wiring the Selection Switch

- 4) Refer to diagrams 8 and 8a, strip the insulation from the switch wires and Insert them into the GREEN Terminal Block and tighten the screws with a small screwdriver.
The Bridge pickup to the **BR** Terminal
The Neck pickup to the **NK** Terminal
The Output of the switch to the **O** Terminal
If there is a ground wire coming from the switch, insert it into one of the black (**GND**) terminals on the terminal block.

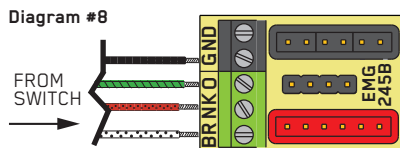


Diagram #8

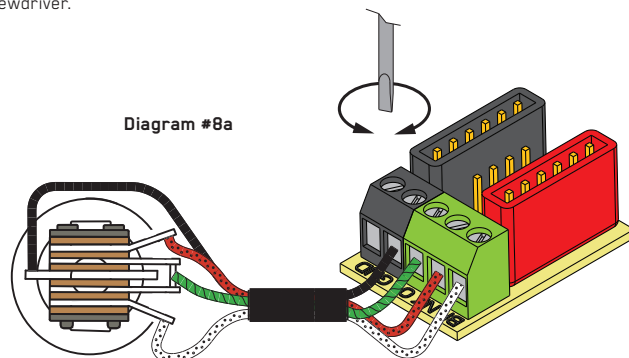
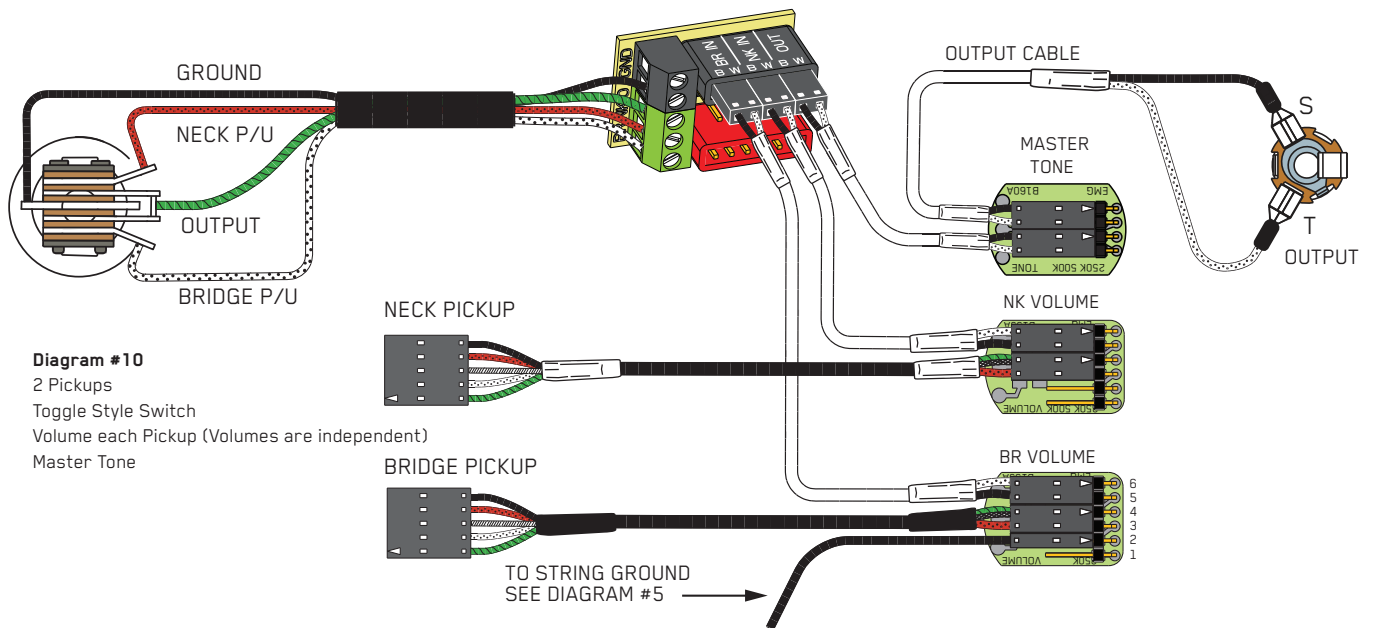
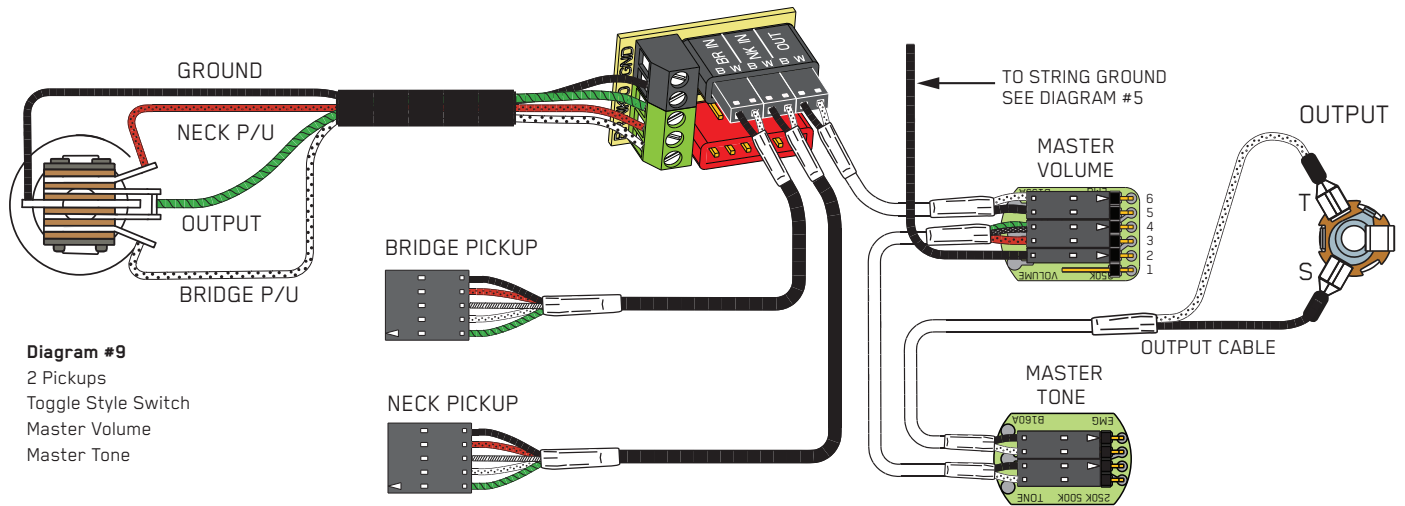


Diagram #8a



Soldering to the 151 Panel Jack:

If your instrument has a long Panel Jack like the one below you will have to solder the output cable as shown.
 Ground (Black) to the Sleeve
 Signal (White) to the Tip

Diagram #7

