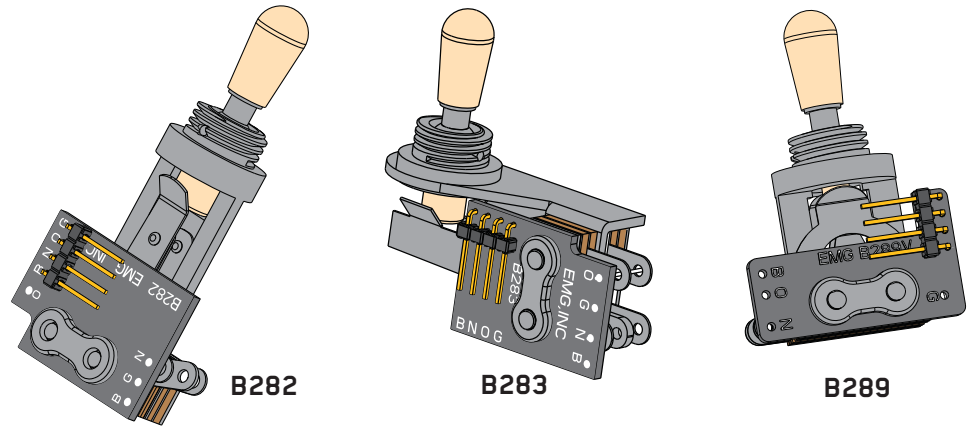




0230-0316

PO BOX 4394
SANTA ROSA, CA
95402 USA

P (707) 525-9941
F (707) 575-7046
EMGPICKUPS.COM

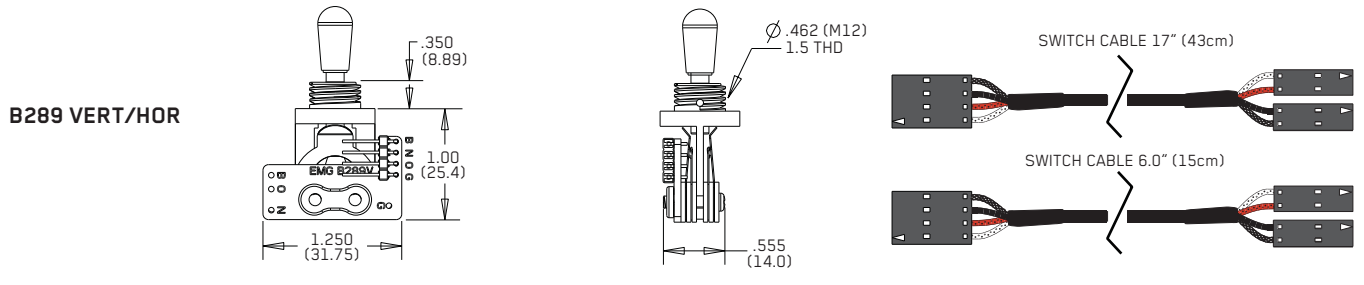
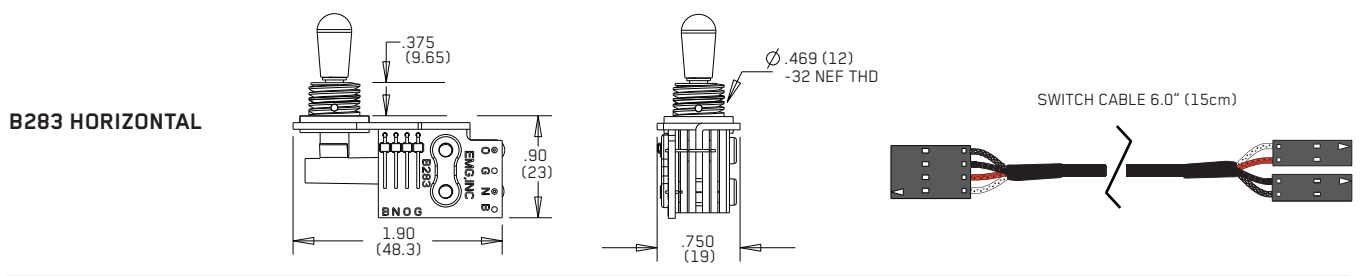
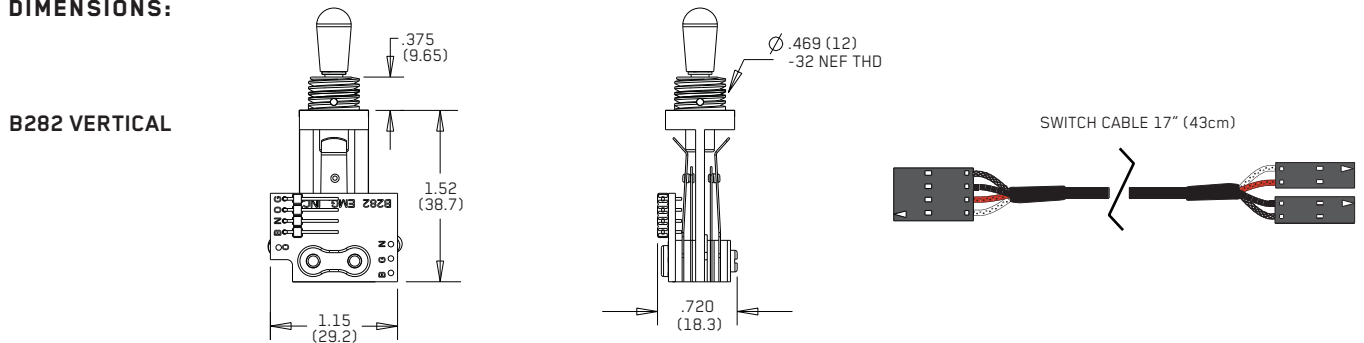


INSTALLATION INFORMATION
EMG MODEL: **B282 VERTICAL (USA MADE)**
B283 HORIZONTAL (USA MADE)
B289 VERTICAL OR HORIZONTAL (IMPORT)

GENERAL INFORMATION:

The B282, B283, and B289 are 3 position selection switches that incorporate EMG's Solderless Connectors. The B282 is the vertical switch designed into Les Paul style guitars. The B283 Horizontal switch is typically used as a switch inside the control cavity where less space is available. The B289 Switch is used in both vertical and horizontal applications. B282 and B283 switches are made in the USA by SwitchCraft and feature a 3/8 tall threaded bushing so they can be installed on an instrument that has a pickguard a wooden body. The B289 is a low-profile import model with a metric bushing. All switches use EMG's "BNOG" connector arrangement and include a cable for easy connection to EMG's connection buss. The B282 Vertical has a 17 inch cable, while the B283 Horizontal has a shorter 6 inch cable. The B289 includes both 17 inch and 6 inch cable lengths. Simply plug on the connectors and you're ready to go. There are some instances where your switch might work backwards, so see page two on how to reverse the selection if necessary. Ivory and Black switch toggles are available.

DIMENSIONS:



WARRANTY

All EMG Pickups and accessories are warranted for a period of two years. This warranty does not cover failure due to improper installation, abuse or damage. If upon examination the pickup is determined to be defective, a replacement will be made. Warranty replacement products are covered by this same warranty. This warranty covers only those pickups and accessories sold by authorized EMG Dealers. This warranty is not transferable.

INSTALLATION:

B282, B283, and B289
Selection Switches

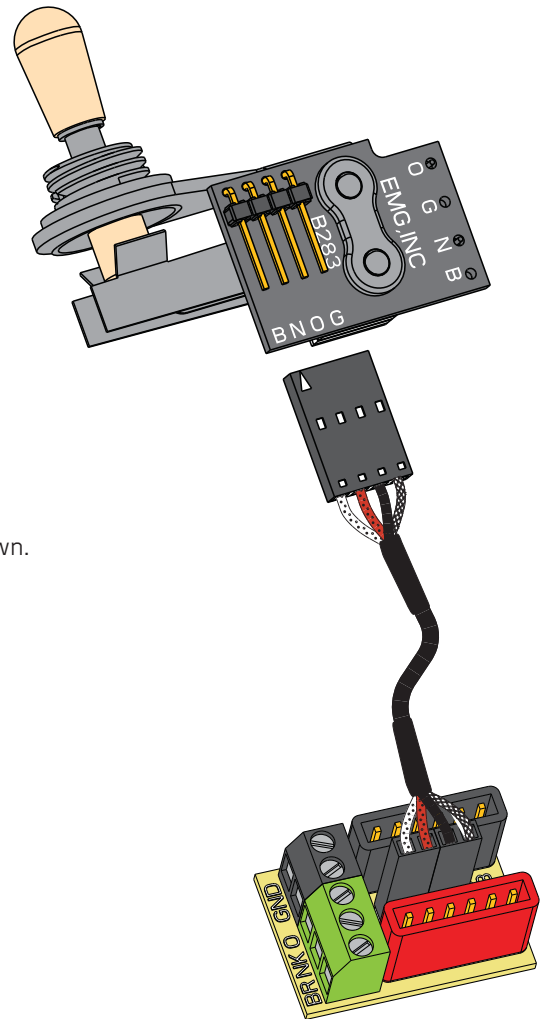
All 3 of the Selection switches use the same wiring idea so only one is shown here. The "BNOG" scheme is as follows:

B= Bridge Pickup input (White wire)
N= Neck Pickup input (Red wire)
O= Output of Switch (Black wire)
G= Ground (Bare shield)

Install the 4 pin Connector housing on the switch as shown in the diagram to the right. Install the 2 separate 2 pin connectors on to the 4 pin connector between the black and red housings as shown. The black and green terminal blocks will not be used for the switch.

If the switch works **backwards?**

Simply reverse the connector that has the RED and WHITE wires and re-insert the plug as shown below.



Reverse this connector to make the switch work in the opposite direction

