

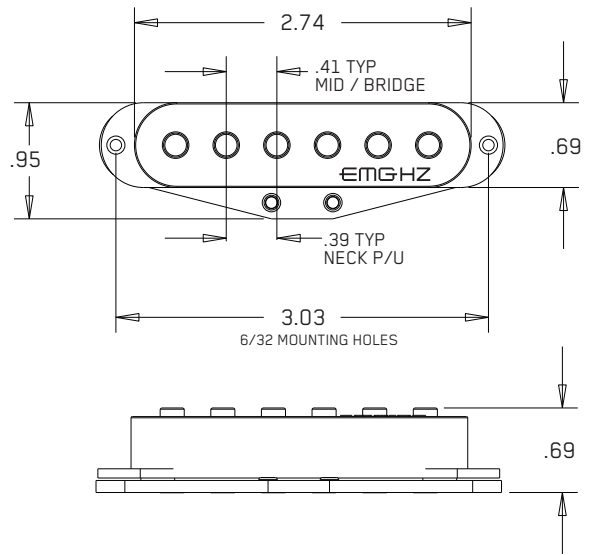


0230-0175A

PO BOX 4394
SANTA ROSA, CA
95402 USA

P (707) 525-9941
F (707) 575-7046
EMGPICKUPS.COM

SRO-SERIES



INSTALLATION INFORMATION EMG MODELS: **SRO SC-1 NECK / MIDDLE / BRIDGE**

SPECIFICATIONS:

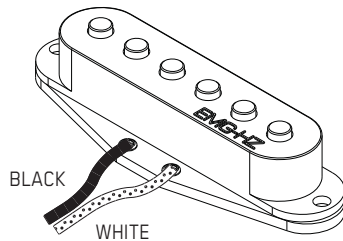
	MODEL:	
	SC-1 Neck	SC-1 Middle / Bridge
Logo Color	Silver	Silver
Magnet Type *	A	A
Inductance (Henries)	2.73	2.85
DC Resistance (kOhm)	6.35	6.55
Resonant Frequency (KHz) (1)	2.37	2.31
Resonant Frequency (KHz) (2)	4.01	4.01
Impedance at Resonance (kOhm) (1)	40.63	41.34

*Note: Magnet Type: A (Alnico)

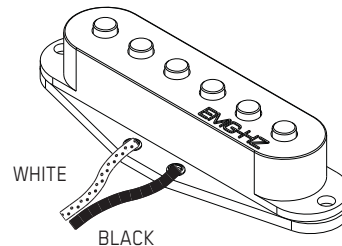
(1) Loaded with 250K Volume and Tone with a 20' (6M) Cable

(2) Loaded with 1 MegOhm / 47pf

SC-1 Neck and Bridge wiring



SC-1 Middle P/U wiring
Reverse Polarity / Reverse Wiring



INSTALLATION NOTES:

The SRO Pickups are open-coil style passive pickups. The SC-1 Neck Pickup features pole pieces spaced apart for a standard Strat** spacing. The SC-1 Middle and Bridge Pickups have a slightly wider spacing to align the poles as the strings near the bridge. The Middle pickup features a reverse magnet polarity as well as reverse wiring to minimize noise in the in-between positions of the 5-Position switch.

The SC-1 Middle and Bridge Pickups have slightly higher inductance and resistance specifications because of the wider pole spacing.

For more information go to <http://www.emgpickups.com>.

** Strat is a trademark of Fender, EMG is not associated with Fender

WARRANTY

All EMG Pickups and accessories are warranted for a period of two years. This warranty does not cover failure due to improper installation, abuse or damage. If upon examination the pickup is determined to be defective, a replacement will be made. Warranty replacement products are covered by this same warranty. This warranty covers only those pickups and accessories sold by authorized EMG Dealers. This warranty is not transferable.

© 2010 Copyright EMG INC. All Rights Reserved.

Installation Instructions:

EMG Models: SRO SC-1 Pickups

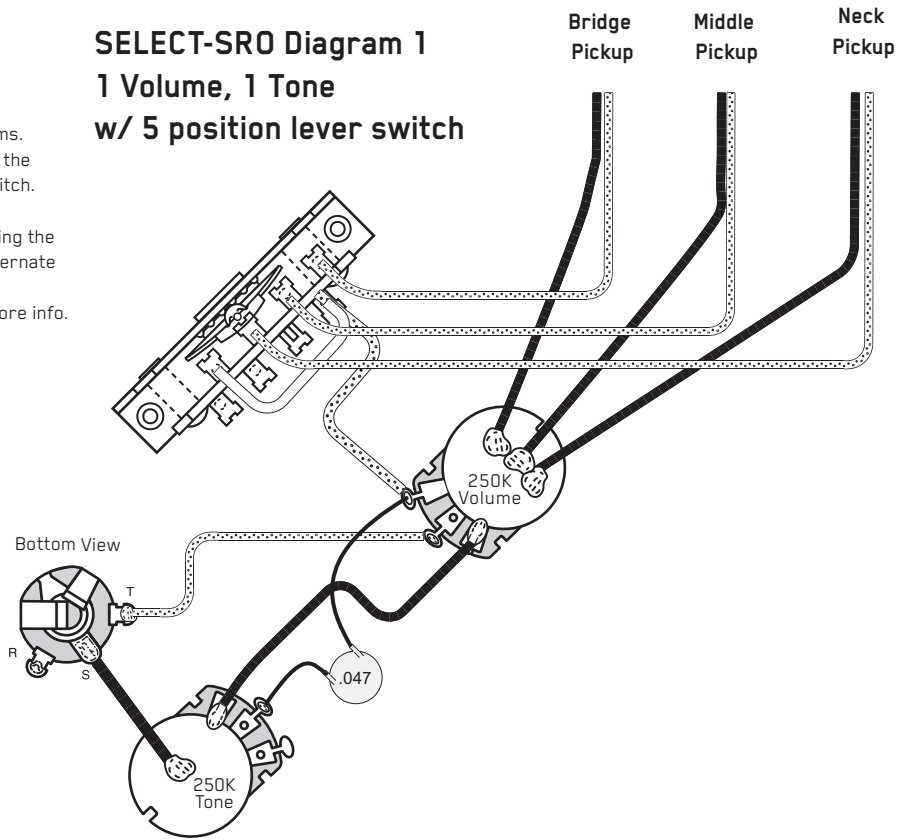
General Notes:

Common Wiring Diagrams:

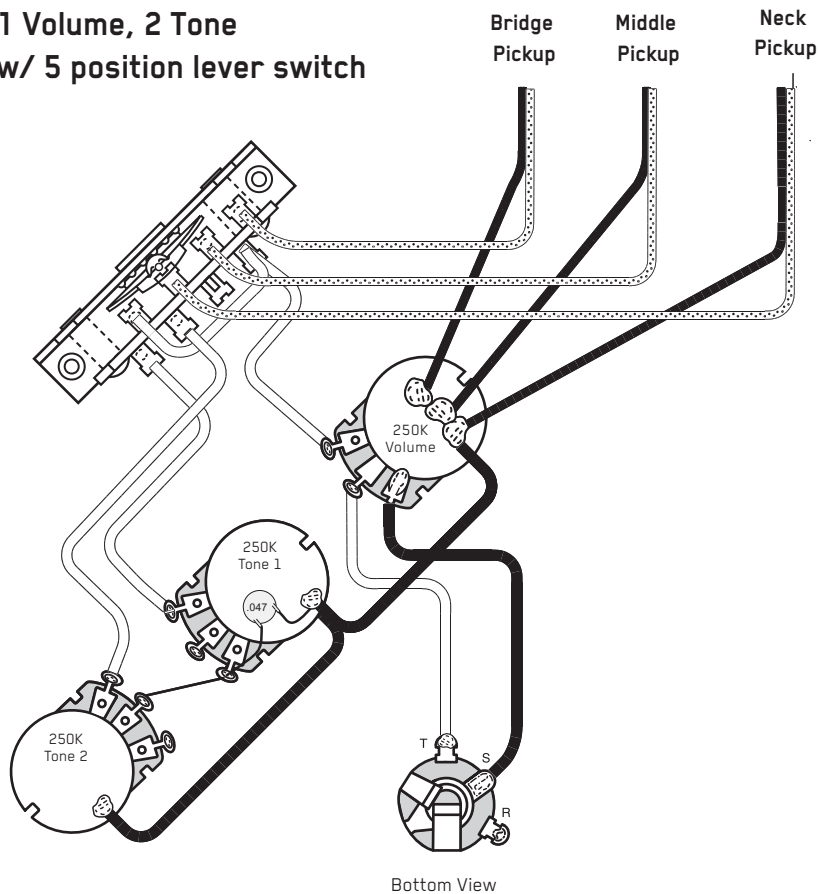
Included in this data sheet are the most common wiring diagrams. The first two diagrams feature wiring for a single pickup, while the rest are for guitars with 2 Pickups and 2 styles of selection switch.

There are a variety of wiring schemes that can be employed using the 5-wire pickup cable. The internet is a great place for finding alternate diagrams. In addition, there are books available from vendors that can help you further. Also try: www.emgpickups.com for more info.

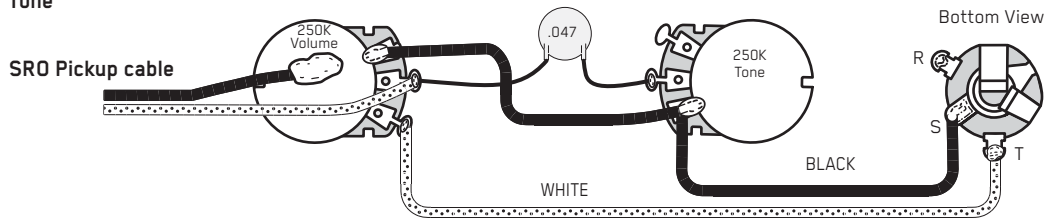
SELECT-SRO Diagram 1
1 Volume, 1 Tone
w/ 5 position lever switch



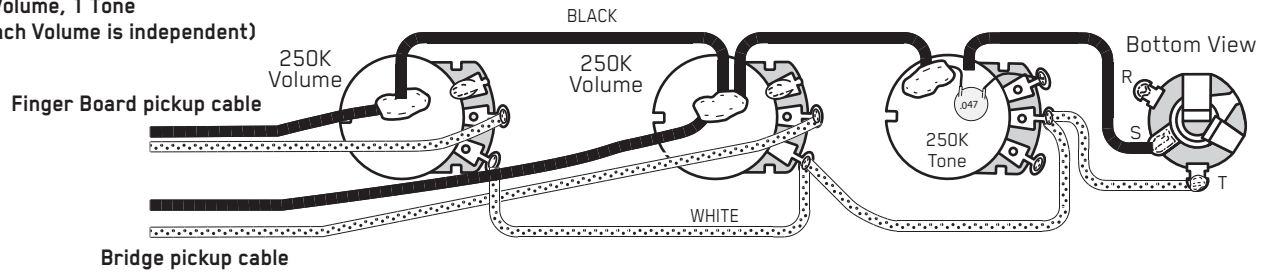
EMG-SRO Diagram 2
1 Volume, 2 Tone
w/ 5 position lever switch



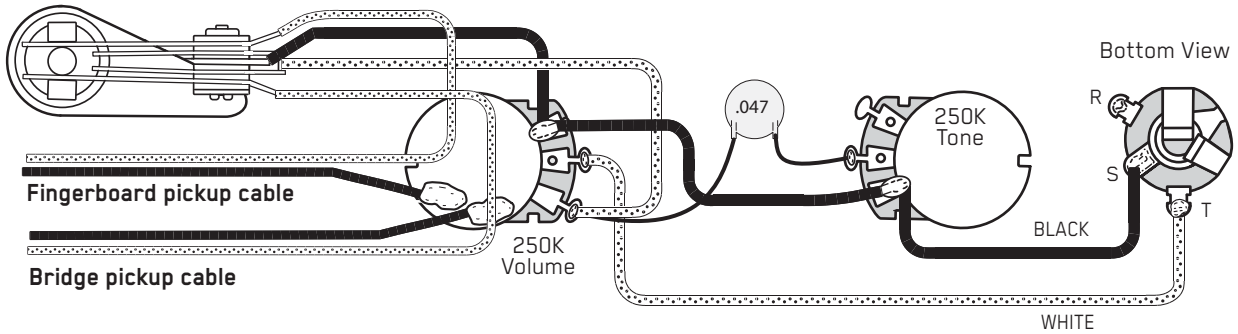
EMG-SRO Diagram 3
1 Volume, 1 Tone



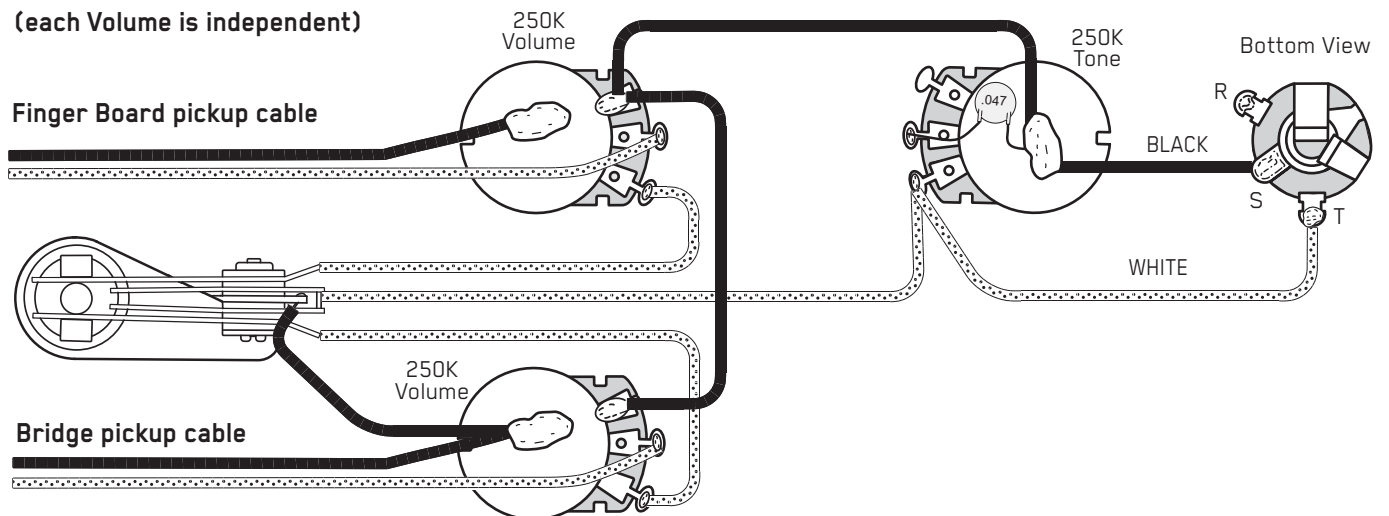
EMG-SRO Diagram 4
2 Volume, 1 Tone
(each Volume is independent)



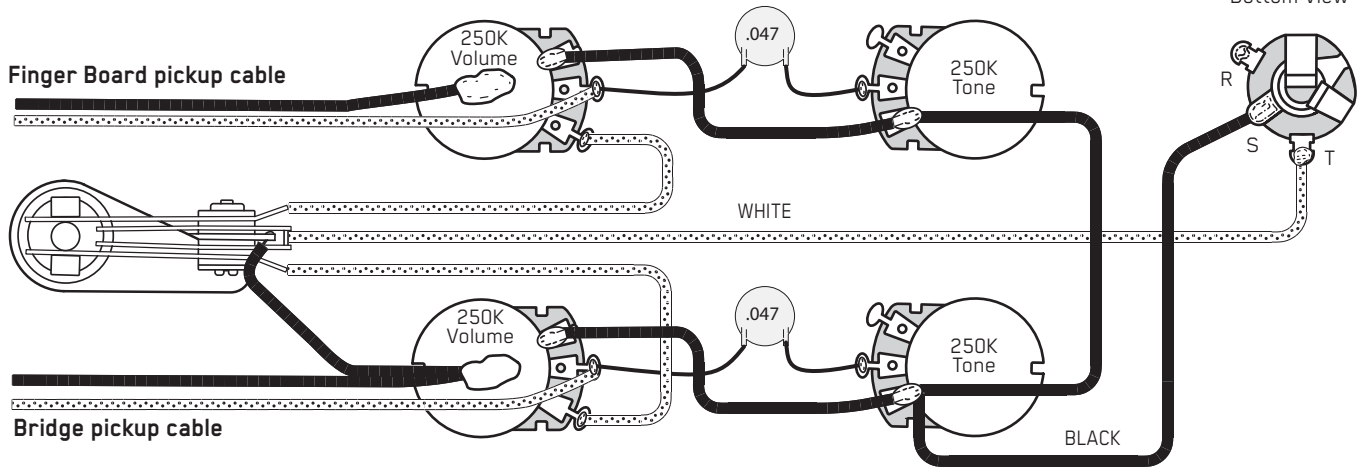
EMG-SRO Diagram 5
1 Volume, 1 Tone w/switch



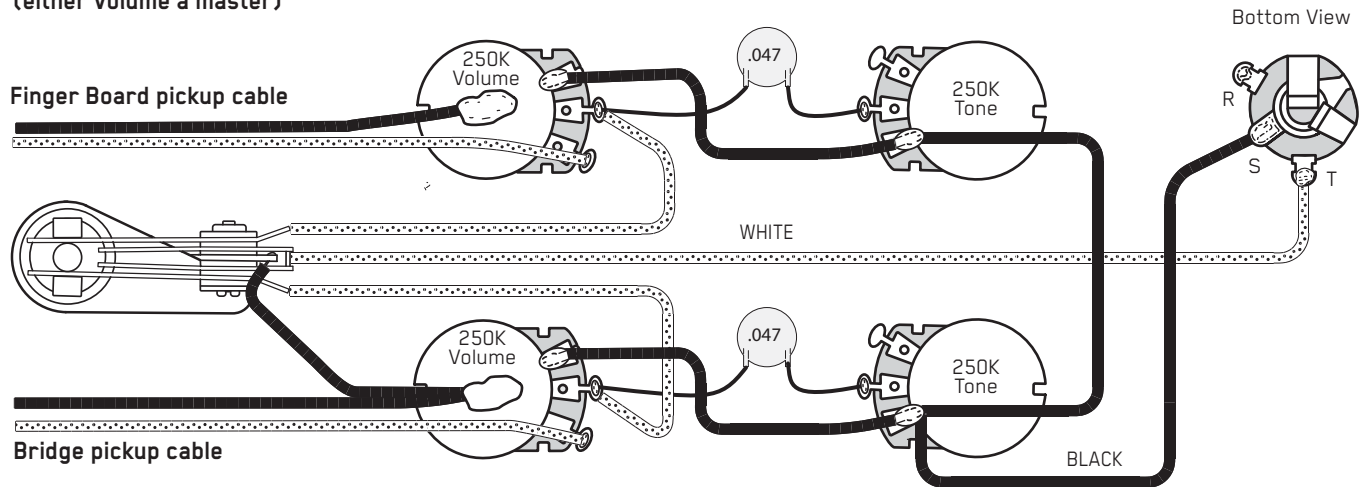
EMG-SRO Diagram 6
2 Volume, 1 Tone w/switch
(each Volume is independent)



EMG-SRO Diagram 7
2 Volume, 2 Tone w/switch
(each Volume is independent)



EMG-SRO Diagram 8
2 Volume, 2 Tone w/switch
(either Volume a master)



EMG-SRO Diagram 9
1 Volume, 1 Tone
w/ 3 position lever switch

