

Diagram #10
 2 Pickups (1 EMG + 1-35-TW)
 Toggle Style Select Switch
 Push-Pull Pot as Master Volume
 with a Master Tone (Passive)

Refer to Diagram #10 Above:

- 1) Install the Pickups and route the cables to the control cavity keeping any excess cable under the pickup.
- 2) Choose an up/down option from Diagram #1 or #2 and plug the 35-TW Pickup cable onto the push-pull switch sections.
- 3) Route a coax cable from the push/pull pot (H4) to the Pickup buss, Position 1. Plug the pickup cable of the other EMG into Position 2 of the pickup buss.
- 4) Plug a coax cable from Position 3 of the Pickup Buss to the Tone control. Plug a coax cable from the Tone control to the Push-Pull Pot (H1)
- 5) Plug the output cable from the Push-Pull Pot (H2) to the output jack and push the connectors onto the T, S, and R terminals of the jack as shown.
- 6) Plug the RED Wires of the pickups onto the V+ Supply Buss (RED Shroud) with the RED wire of the battery clip.
- 7) Strip the insulation from the switch wires and Insert them into the GREEN and BLACK Terminal Blocks and tighten the screws with a small screwdriver. Refer to the B157 Pickup buss instructions enclosed.
- 8) Put the battery in the insulating foam piece provided and place it securely in the control cavity.
 We suggest that you plug in the instrument and test it before closing the control cavity.

Refer to Diagram #11 Below:

- 1) Install the 35-TW Pickups and route the cables to the control cavity keeping any excess cable under the pickup.
- 2) Choose an up/down option from Diagram #1 or #2 and plug the 35-TW Pickup cables onto the push-pull switch sections.
- 3) Route a coax cable from each of the Push-Pull Pots (H1) to the Tone controls.
- 4) Plug a coax cable from the Bridge Tone to the Pickup Buss (Position 1) Plug a coax cable from the Neck Tone to the Pickup Buss (Position 2)
- 5) Plug the output cable from the Pickup Buss (Position 3) to the output jack and push the connectors onto the T, S, and R terminals of the jack as shown.
- 6) Plug the RED Wires of the pickups onto the V+ Supply Buss (RED Shroud) with the RED wire of the battery clip.
- 7) Strip the insulation from the switch wires and Insert them into the GREEN and BLACK Terminal Blocks and tighten the screws with a small screwdriver. Refer to the B157 Pickup buss instructions enclosed.
- 8) Put the battery in the insulating foam piece provided and place it securely in the control cavity.
 We suggest that you plug in the instrument and test it before closing the control cavity.

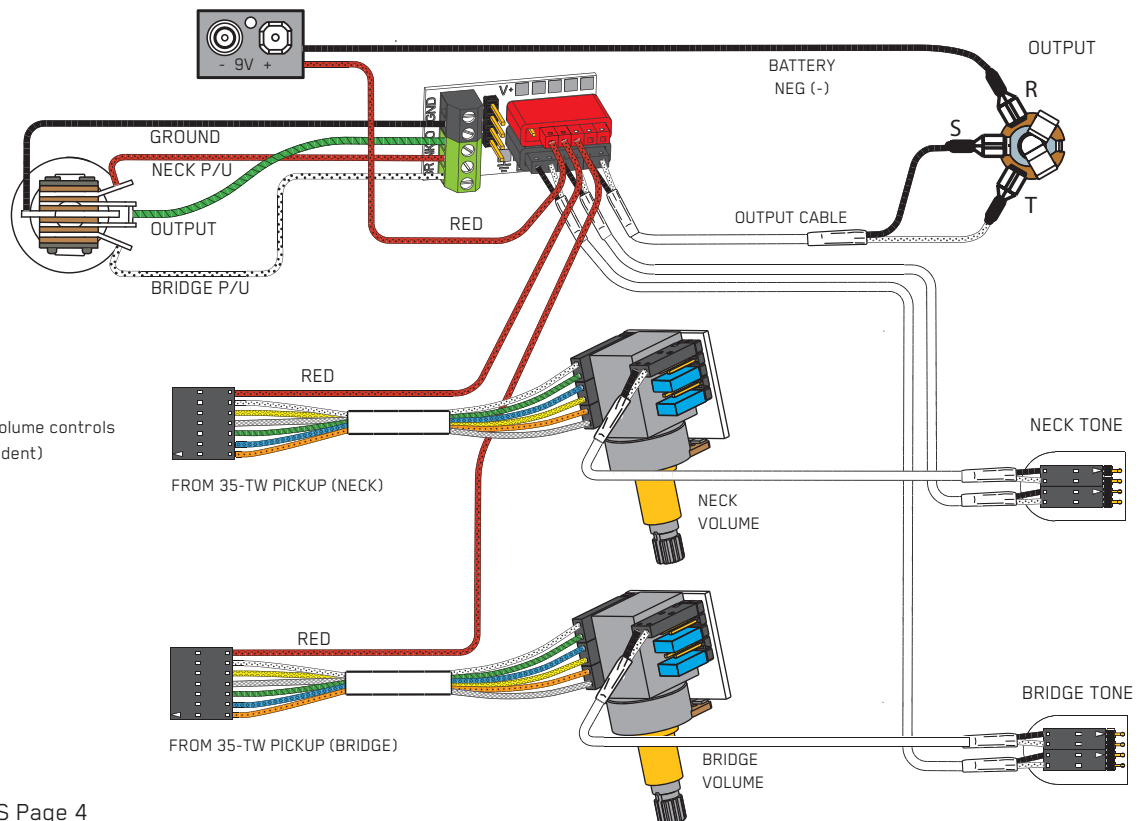


Diagram #11
 2 35-TW Pickups
 2 Push-Pull Pots as Volume controls
 (Volumes are independent)
 2 Tones (Passive)
 Toggle Style Switch



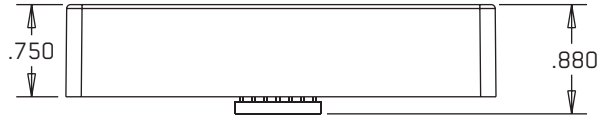
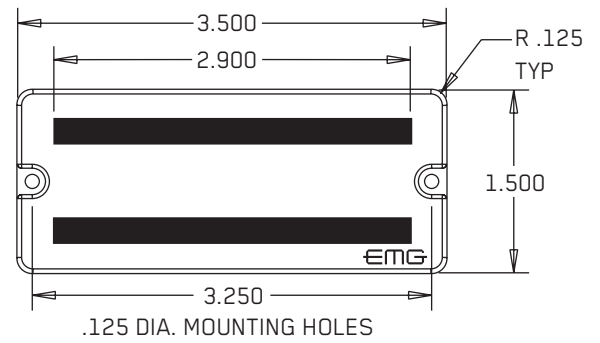
0230-01.40B

PO BOX 4394
SANTA ROSA, CA
95402 USA

P (35) 525-9941
F (35) 575-7046
EMGPICKUPS.COM

INSTALLATION INFORMATION

EMG MODEL: 35-TW



SPECIFICATIONS:

Logo Color
Magnet Type*
Resonant Frequency (KHz)
Output Voltage (String)
Output Voltage (Strum)
Output Noise (60 Hz)
Output Impedance (Kohm)
Current @9V (Microamps)
Battery Life (Hours)
Maximum Supply (Volts DC)
* Magnet Type CS (Ceramic and Steel)

MODEL:

35-TW
Copper
C/S

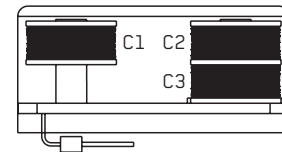
Single-Coil

3.50
1.00
3.00
-107
10

Dual-Coil

2.50
2.00
4.50
-109
10

EMG-35-TW (SIDE VIEW)



In Dual-coil mode, coils C1 and C2 are active.
In Single-coil mode, coils C2 and C3 are active.

INSTALLATION NOTES:

The EMG-35-TW has a variety of ways it can be wired into a bass. The diagrams included are limited to the most popular because of space. The addition of the plug-on PC Board on the Push-Pull Pot adds further flexibility as you will see in the diagrams. We suggest you look fully at the installation diagrams included in this sheet along with the B157 Pickup Buss data sheet included in this package before beginning your installation. The Push-Pull Pot allows you 2 options as a volume control as well as 2 other options using the pot as a tone control. If you don't see a diagram that fits your instrument directly, or you want to do something completely different, contact our technical department and we'll create a diagram you can follow for your installation. Certain limitations apply...

IMPORTANT INSTALLATION NOTES:

- 1) Only one 9-Volt battery is required to power the pickups and any accessories such as the SPC, RPC, EXG, AB, PA-2, and Pi-2. Use an Alkaline or Lithium battery for longest life.
- 2) The Volume Control included with the EMG System is 25K Ohm. This value is required for the system to work correctly.
- 3) A stereo output jack (12B) is included with the EMG Pickups; it grounds the black battery wire to turn on the pickups when the plug is inserted into the jack. If you are replacing passive pickups, make sure to use the jack included. If your guitar has a long panel jack make sure it is a stereo type, a Switchcraft 152B is recommended.
- 4) When installing any EMG Active Pickup, DO NOT connect the bridge ground wire. This wire is usually soldered to a volume or tone control casing and goes to the bridge. This wire grounds the strings and uses them as a shield against hum and buzz. It also creates a shock hazard.

EMG Pickups are shielded internally and DO NOT require string grounding. This greatly reduces the possibility of reverse polarity shock from microphones and other equipment.

- 5) EMG Active Pickups have very little magnetism compared to passive pickups. We recommend you adjust the pickups as close to the strings as possible. Sustain and string movement will not be inhibited by close adjustment.
- 6) If your installation is different from the diagrams in these instructions or you need additional diagrams visit our website: emgpickups.com for a complete listing of available diagrams.

7) SPECIAL NOTE:

The diagrams shown are for EMG Active Pickups. All diagrams show the Red Wire coming from the pickups connected to the battery. If you are installing EMG-HZ Passive Pickups refer to their diagrams. The Red Wire of the HZ Pickup is NOT for battery power, it is a coil wire.

WARRANTY

All EMG Pickups and accessories are warranted for a period of two years. This warranty does not cover failure due to improper installation, abuse or damage. If upon examination the pickup is determined to be defective, a replacement will be made. Warranty replacement products are covered by this same warranty. This warranty covers only those pickups and accessories sold by authorized EMG Dealers. This warranty is not transferable.

Installation Instructions:

EMG Model: 35-TW

General Notes:

Every attempt has been made to make this a solderless installation. There are some instances where this is not possible;

- 1) If your instrument uses the long panel output jack and you had passive pickups you will need a new stereo output jack, the Switchcraft 152B is recommended. Soldering to the new jack will be required.
- 2) Some instruments may already have a battery holder installed, in that case soldering may be required.
- 3) Instruments with two pickups may need soldering to the selection switch in some installations.

Using the 35-TW Push-Pull Switch

The Push-Pull Switch included with the EMG-35-TW allows you to choose between two internal pickups of the EMG 35-TW, single-coil and dual-coil. The Push-Pull Pot has two separate sections: The Switch and the pot, described below.

Refer to Diagrams #1 and #2

The Push-Pull Switch section (DPDT) lets you choose between the single-coil sound and a dual-coil sound by pulling or pushing the pot shaft up or down. You have the option of having the single-coil sound in either the up or down position and vice-versa for the dual-coil sound. Diagrams #1 and #2 show how to connect the 35-TW Pickup cable to choose either option. Select the diagram that suits you and push the cable connectors onto the single line 6-pin header. Simply turn over cable connectors 1 and 2 to change the wire order and this will choose between the two options. Connector 3 remains the same for either choice.

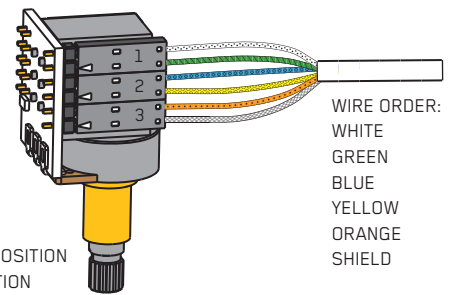


Diagram #1
HUMBUCKING ON: DOWN POSITION
SINGLE COIL ON: UP POSITION

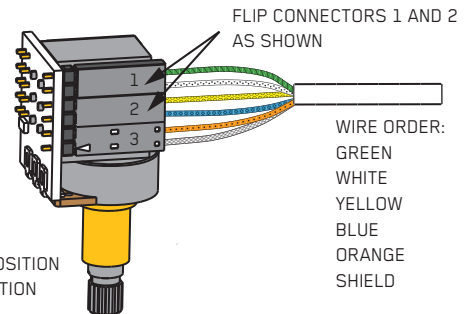
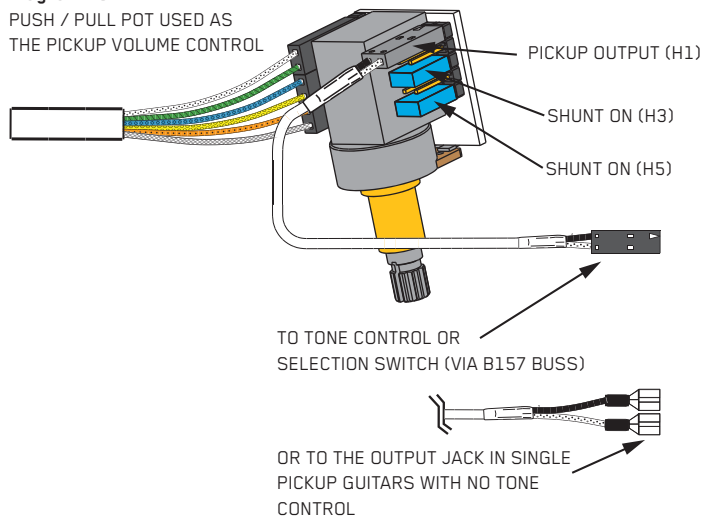


Diagram #2
SINGLE-COIL ON: DOWN POSITION
HUMBUCKING ON: UP POSITION

Diagram #3

PUSH / PULL POT USED AS THE PICKUP VOLUME CONTROL



Using the 35-TW Push-Pull Pot Section

The Push-Pull Pot side of the EMG-35-TW allows you 4 different options:

- 1) Use the pot as a Master Volume for the Instrument
- 2) Use the pot as a Volume control for the 35-TW Pickup
- 3) Use the pot as a Master Tone control for the Instrument
- 4) Use the pot as a Tone control for the 35-TW pickup

On the PC Board there is a dual-line header with 5 pairs of pins. They are listed on the PC Board as H1 through H5. By using the the connections shown in Diagrams #3 through #6, you can choose any of the 4 options.

Using the Pot Section as:

- 1) A Master Volume for the Instrument or, the Pickup Volume control

Refer to Diagrams #3 and #4

The pot section (25KA) can be used either as a Volume control for the pickup or, it can be used as the Master Volume for the guitar. Diagrams #3 and #4 show how to connect either option.

Use the dual-line 10-pin header and push the cables on and install the shunts as needed onto the labeled headers H1 thru H5.

Use Diagram #3 if you have a single 35-TW installed in your instrument, or have two or more pickups in your instrument and want to use the pot as the Volume control for the 35-TW Pickup only. Installing the shunts on positions H3 and H5 sends the pickup signal to the wiper of the 25K Pot, and the output of the 25K Pot is at position H1.

Diagram #4 allows you to use the 25K Pot independently of the pickup output. By taking the output of the pickup from position H4, the Volume control is now available to use as a Master Volume with H1 and H2 being the input and/or output of the Volume control. H1 and H2 positions are interchangeable. Position H4, now the output of the pickup, would typically go to a selection switch or a pan-pot. Don't forget to install the shunt on H5.

Diagram #4

PUSH / PULL POT USED AS THE MASTER VOLUME CONTROL

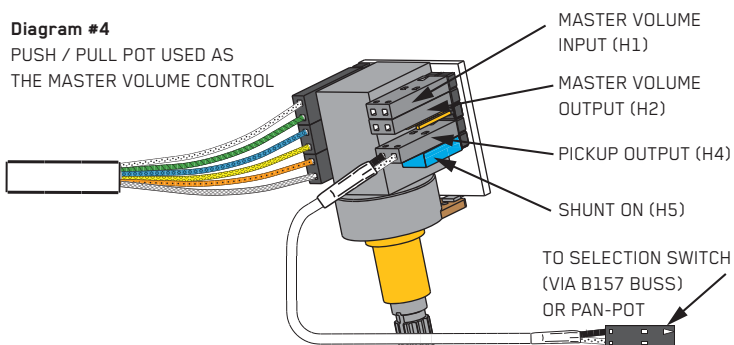
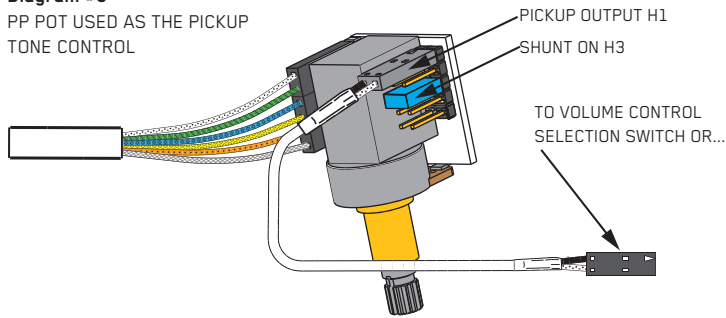


Diagram #5
PP POT USED AS THE PICKUP
TONE CONTROL



Using the Pot Section as:
2) A Master Tone control for the instrument or, the Pickup Tone control
Refer to Diagrams #5 and #6

The pot section (25KA) can be used either as a Tone control for the pickup or it can be used as a Master Tone control for the guitar. Diagrams #5 and #6 show how to connect either option. Use the dual-line 10-pin header and push the cables on and install the shunts as needed onto the labeled headers H1 thru H5.

Use Diagram #5 if you have a single 35-TW installed in your instrument, or have two or more pickups in your instrument and want to use the pot as the Tone control for the 35-TW Pickup only.

Installing the shunt on position H3 connects a tone capacitor on the PC Board to the wiper of the 25K Pot and creates a passive Tone control the output of pickup the is at position H1.

Diagram #6
PP POT USED AS A MASTER
TONE CONTROL

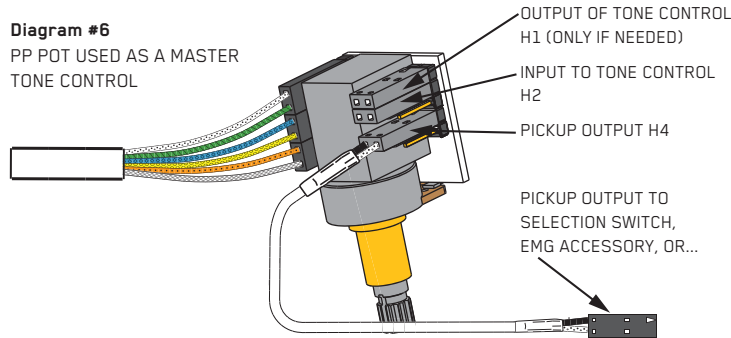


Diagram #6 uses the 25K Tone control independently of the pickup output. By taking the output of the pickup from Position H4, the control is now available to use as a Master Tone with H1 and H2 being the input and/or output of the Tone control. H1 and H2 positions are interchangeable. Position H4, the output of the pickup, would typically go to a selection switch or a pan-pot.

Diagram #6
Insert the plug onto the 7 pin header
of the pickup as shown here.
Note the orientation arrow.

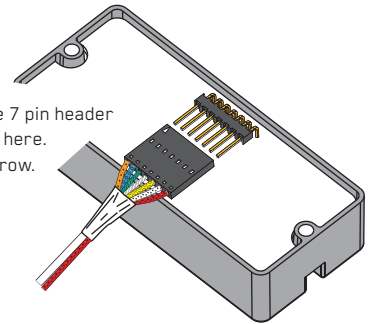


Diagram #8
One 35-TW Pickup
One Master Volume Control
No Tone Control

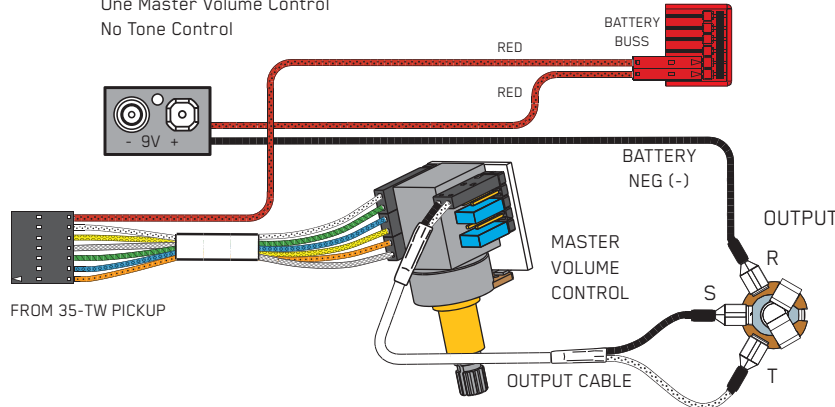


Diagram #9
One 35-TW Pickup
One Volume
One Tone

